

KREIDLER

MOPED MP 9 and MP 19

effective

MP 9 as of frame-No. 2 400 001
engine-No. 2 400 001

MP 19 as of frame-No. 2 450 001
engine-No. 2 450 001



KREIDLER DIENST

Ersatzteile und Fahrzeuge

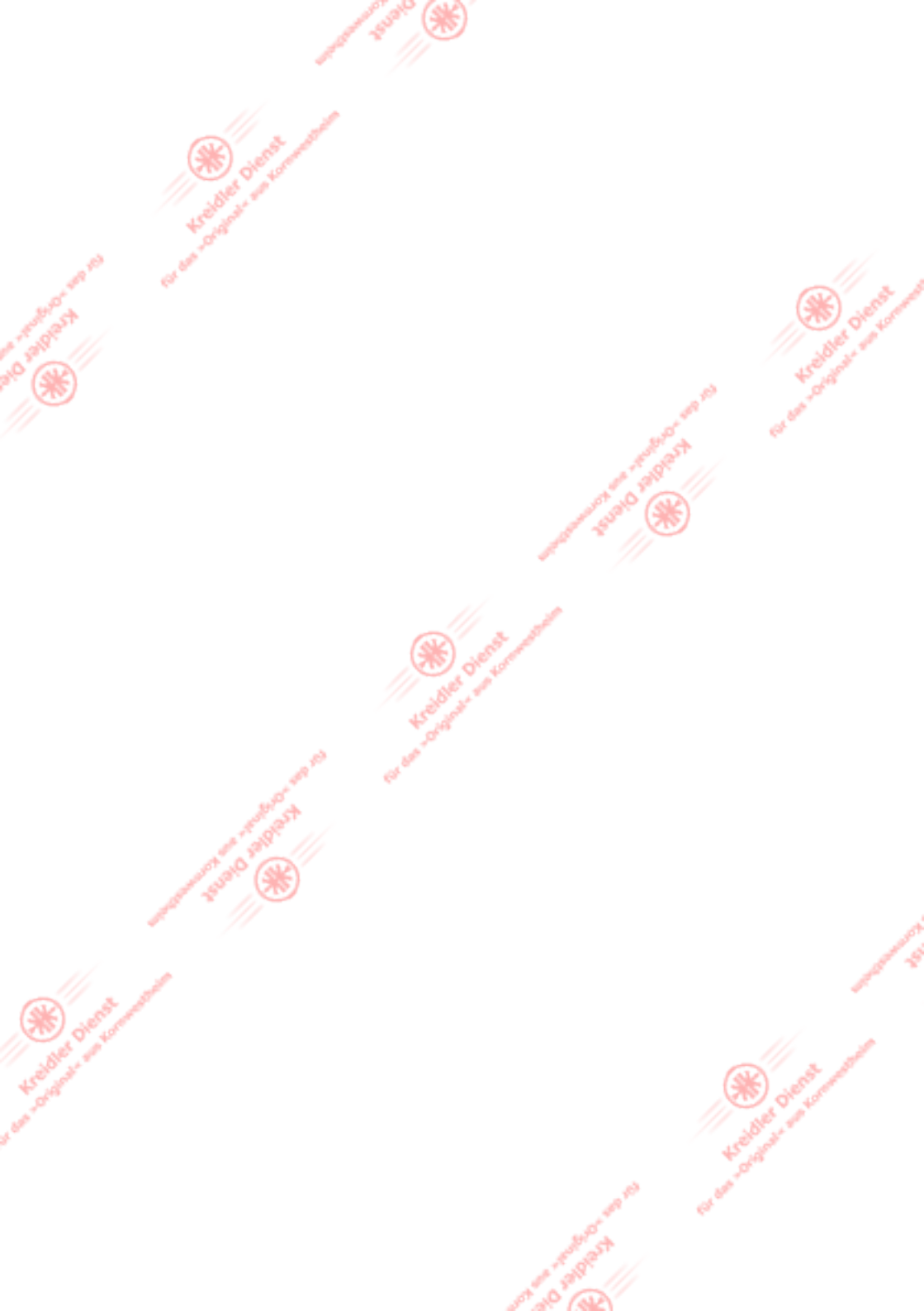
Frank Hellmuth

Friedenstraße 20/1 • 70806 Kornwestheim

Telefon: 07154/4686

Telefax: 07154/4657

CATALOG OF SPARE PARTS



Kreidler Dienst
für das »Original« aus Kornwestheim

Kreidler Dienst
für das »Original« aus Kornwestheim

Kreidler Dienst
für das »Original« aus Kornwestheim

Kreidler Dienst
für das »Original« aus Kornwestheim

Kreidler Dienst
für das »Original« aus Kornwestheim

Kreidler Dienst
für das »Original« aus Kornwestheim

Kreidler Dienst
für das »Original« aus Kornwestheim

Kreidler Dienst
für das »Original« aus Kornwestheim

Kreidler Dienst
für das »Original« aus Kornwestheim

Kornwestheim
2014

KREIDLER

MOPED MP 9 and MP 19

Catalog of Spare Parts

Color Nos. for Mopeds	MP 9	MP 19
orange	84	
yellow	85	
green	87	
red		92
silver/alu	83	83
black	78	78

Group:**Engine:**

Engine Complete With Mounting Parts 5

Housing, Ignition Cover, Clutch Shaft 7

Cylinder, Cylinder Head, Piston,
Decompression Valve, Spark Plug 9

Crankshaft Drive 11

Transmission 13

Clutch 15

Carburetor 17

Intake Silencer 19

Exhaust System 21

Magneto Generator MP 9
MP 9 to frame No. 2412921
to engine No. 2427425 23Magneto Generator MP 9 and MP 19
MP 9 from frame No. 2412922
from engine No. 2427426 25**Frame:**Frame, Type Plate, Steering Lock,
Steering Head Bearing, Stand 27

Tread Shaft, Chain Guide 29

Saddle, Tool Set, Tool Set Box,
Rear Fender, Luggage Carrier 31

Seat, Tool Box, Luggage Carrier 35

Rear Wheel Swinging Arm, Spring Strut 37

Fuel System:

Fuel Tank, Fuel Cock 39

Cowling:

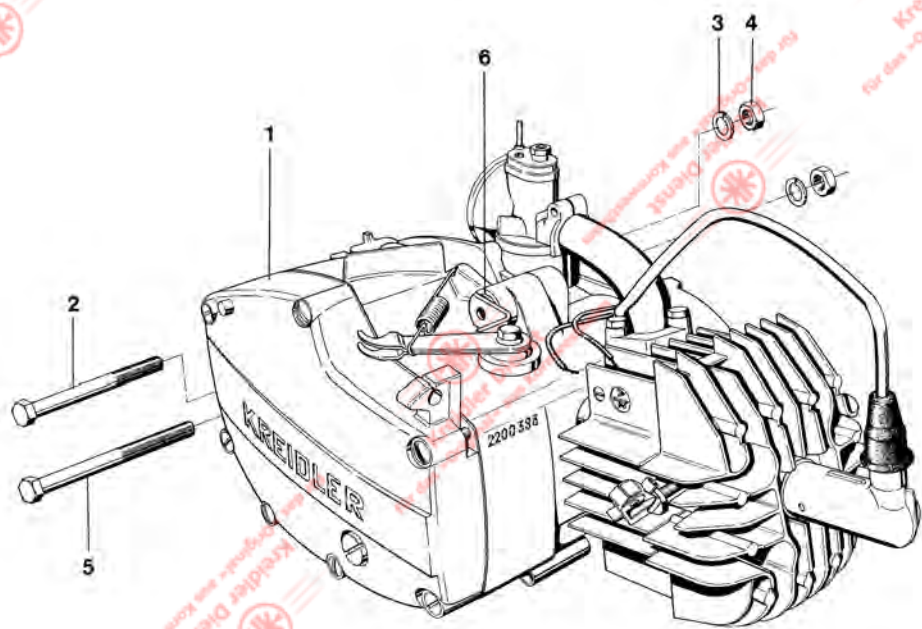
Engine Cowling, Chain Guard 41

Teleskope – Type Fork:

Teleskope – Type Fork Complete 43

Front Fender 45

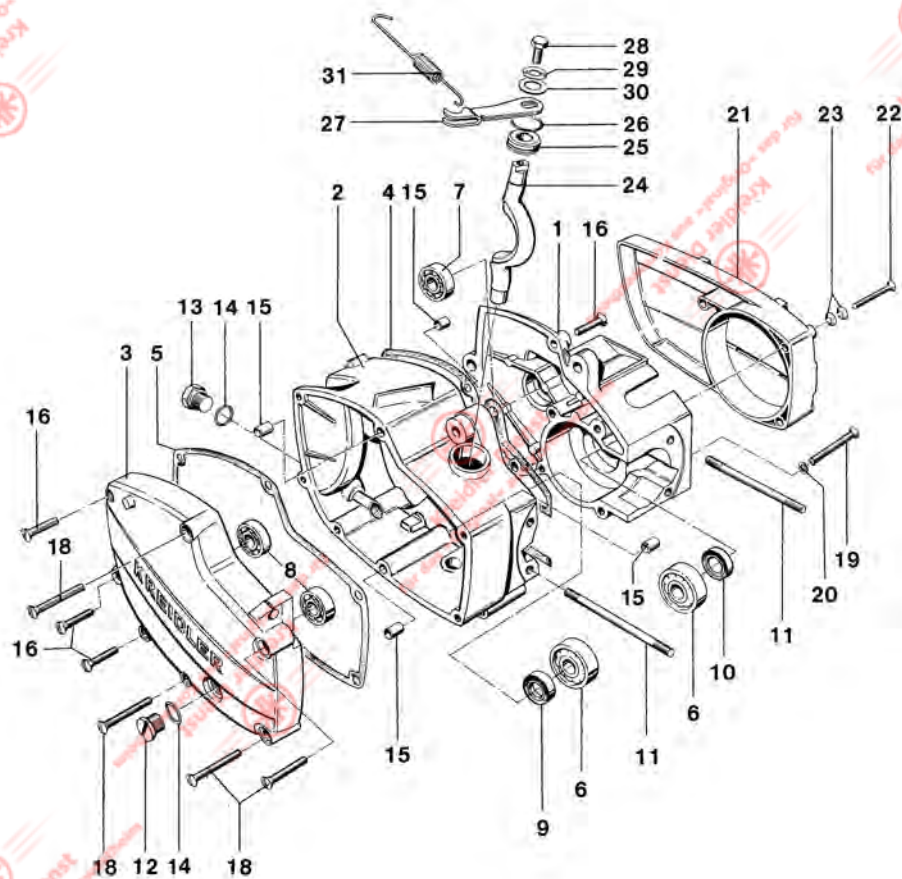
Handlebar:	Handlebar, Throttle Twist Grip, Brake-Light Switch, Throttle Control Cable, Front Wheel Brake Cable	47
	Start Clutch Lever, Handlebar Couple, Clutch Cable, Rear Wheel Brake Cable, Rear View Mirror	49
Front Wheel:	Wheel With Spokes	51
	Combined Wheel	53
Rear Wheel:	Wheel With Spokes	55
	Combined Wheel	57
Electrical System:	Headlight	59
	Cable Harness, Brake Light Switch, Rear Reflector, Horn	61
	Turn Signals, Cable Harness, Diodes, Horn	63
	Speedometer, Speedometer Shaft, Hub Drive	67
	Combination Tail-Brake-Licence – Plate Light	69
Accessories:	Leg Shield, Luggage Basket	71
	Assortements	72



225 101 c

Group: Engine / Engine Complete With Mounting Parts

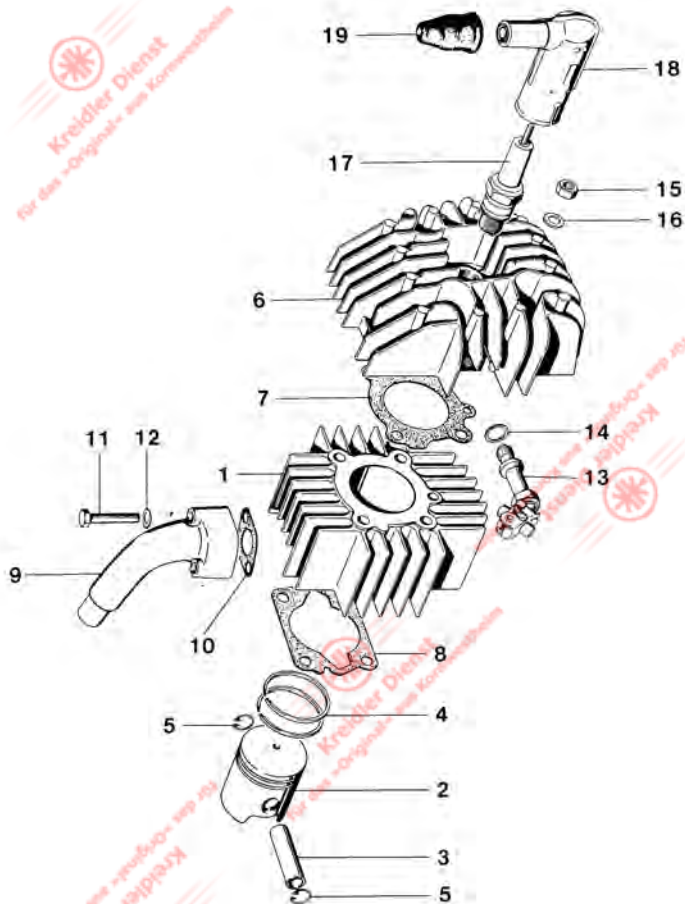
Illustr. No.	Part No.	Nomenclature	MP 9	MP 19
1	215.00.12	engine complete, 2-speed, automatic	1	—
—	215.00.17	engine complete, 2-speed, automatic	—	1
2	00.10.77	hex head screw M8 x 60 DIN 931	1	1
3	00.40.67	toothed lock washer A8.2 DIN 6797	2	2
4	00.20.16	hex head nut M8 DIN 934	2	2
5	00.10.09	hex head screw M8 x 65 DIN 931	1	1
6	215.09.22	back square	1	1



225 102 a

Group: Engine / Housing, Ignition Cover, Clutch Shaft

Illustr. No.	Part No.	Nomenclature	MP 9	MP 19
1	215.01.35	housing left	1	1
2	215.01.27	housing center part	1	1
3	215.01.03	housing right	1	1
4	215.01.18a	housing gasket left	1	1
5	215.01.10	housing gasket right	1	1
6	00.63.01	ball bearing BO 15 DIN 615	2	2
7	01.00.35	ball bearing Fafnir 202k x 3/C3	1	1
8	00.60.32	ball bearing 6001/C3 DIN 625 (for ball bearing seating heat housing to 120°C)	2	2
9	01.00.11	sealring 15 x 25 x 5	1	1
10	01.00.25	double-lipped sealring 15 x 24 x 7	1	1
11	00.22.02	stud bolt M6 x 92 DIN 940	4	4
12	11.00.19	locking screw	1	1
13	00.19.60	locking screw AM12 x 1.5 DIN 7604	1	1
14	00.70.01	ring seal C12 x 16 DIN 7603	2	2
15	215.01.12	fitting bushing	4	4
16	00.16.00	oval head countersunk screw M6 x 30 DIN 964	7	7
18	00.16.20	oval head countersunk screw M6 x 45 DIN 964	4	4
—	00.17.46	fillister head screw B M6 x 50 DIN 84	5	5
—	00.70.08	ring seal C6 x 10 DIN 7603	2	2
20	00.43.57	lock washer B6 DIN 137	3	3
21	215.09.21	ignition cover	1	1
22	00.16.22	oval head countersunk screw M4 x 40 DIN 91	3	3
23	01.00.22	washer	6	6
24	215.01.13	clutch shaft	1	1
25	215.01.14	spacer	1	1
26	01.00.14	O-ring 20 x 2.5	1	1
27	215.01.83	clutch lever	1	1
28	00.11.13	hex. head screw M6 x 12 DIN 933	1	1
29	00.43.57	lock washer B6 DIN 137	1	1
30	00.30.02	washer A6.4 DIN 125	1	1
31	215.09.09	return spring	1	1



225 103 c

Group: Engine / Cylinder, Cylinder Head, Piston, Decompression Valve, Spark Plug

Illustr. No.	Part No.	Nomenclature	MP 9	MP 19
1	215.03.88c*)	cylinder with piston	1	—
1	215.03.73**)	cylinder with piston	1	1
2	215.03.83***)	piston, complete	1	1
3	215.03.08	bolt 12 dia.	1	1
4	00.90.07	piston ring 40 dia x 1.5	2	2
5	00.45.02	wire snap ring A 12 DIN 73 123	2	2
6	215.03.43*)	cylinder head	1	—
6	215.13.11**)	cylinder head	1	1
7	215.03.44*)	cylinder head gasket	1	—
7	215.13.15**)	cylinder head gasket	1	1
8	215.03.12	cylinder gasket	1	1
9	215.03.20	intake socket	1	1
10	215.03.25	intake socket gasket	1	1
11	00.10.52	hex. head screw M6 x 32 DIN 931	2	2
12	00.43.57	lock washer B6 DIN 137	2	2
13	215.03.45	decompression valve	1	1
14	00.70.14	ring seal C10 x 13.5 DIN 7603	1	1
15	215.03.16	hex nut	4	4
16	00.30.02	washer 6.4 DIN 125	1	1
17	08.11.03	spark plug 175 therm. value	1	1
18	15.22.15	partially screened suppressor plug	1	1
19	15.12.03a	protective cap	1	1

NOTE

In view of the fact that before long the old cylinder type 215.03.88c will no longer be available, the new cylinder type 215.03.73 may also be mounted in the vehicles up to frame No. 2409020 and up to engine No. 2423025; if the old type cylinder head 215.03.43 will be reinstalled, the old type cylinder head gasket 215.03.44 must be fitted.

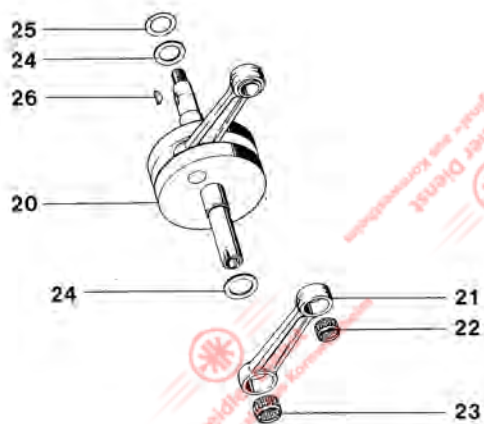
*) MP 9 to frame No. 2409020, engine No. 2423025

**) MP 9 from frame No. 2409021, engine No. 2423026

***) When ordering pistons the correct measurement group has to be stated. Piston and cylinder size have to match.

There are 5 measurement groups: D, F, H, D, M.

You will find these capital letters on the piston head and the lower surface of the inlet flange.



225 103 d

Group: Engine / Crankshaft Drive

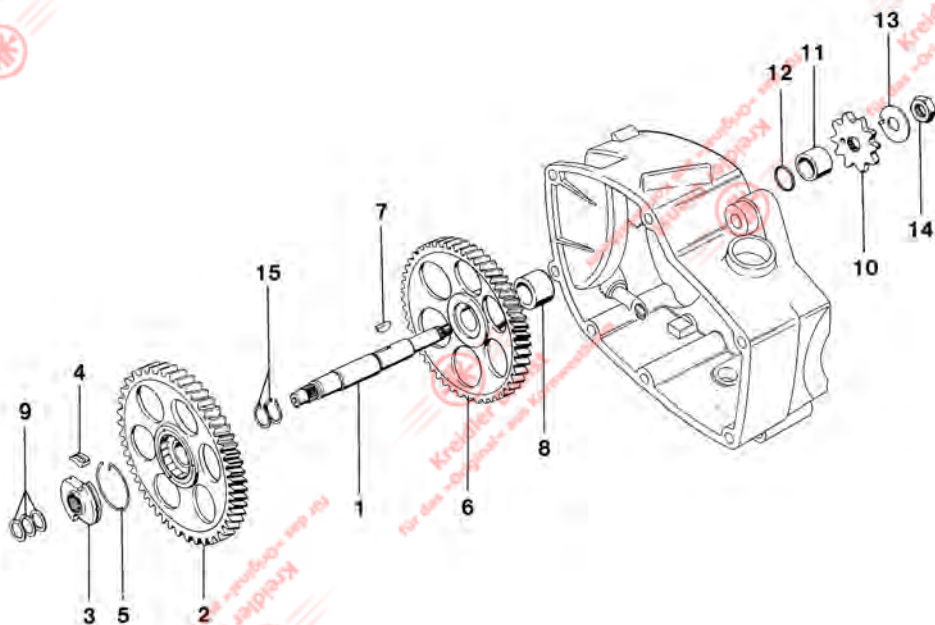
Illustr. No.	Part No.	Nomenclature	MP 9	MP 19
20	215.35.00 V	crankshaft drive , complete	1	1
21	215.35.01	▲ connecting rod	1	1
22	01.00.32*)	needle cage for connecting rod, top	1	1
—	215.05.03	crank pin	1	1
23	01.00.17**)	needle cage for crank pin connecting rod, bottom	1	1
24	215.05.07	spacer	1	1
25	215.05.08 V	shim for crankshaft bearing 0.1 mm	as req.	as req.
—	215.05.09 V	shim for crankshaft bearing 0.15 mm	as req.	as req.
—	215.05.10 V	shim for crankshaft bearing 0.25 mm	as req.	as req.
26	00.80.03 V	woodruff key	1	1

*) tolerance group -1; -4; -7 micron

permissible radial clearance between gudgeon pin and needle cage within 0–12 micron.
Mate correspondingly when replacing the needle cage.

**) tolerance group -2 up to -7 micron

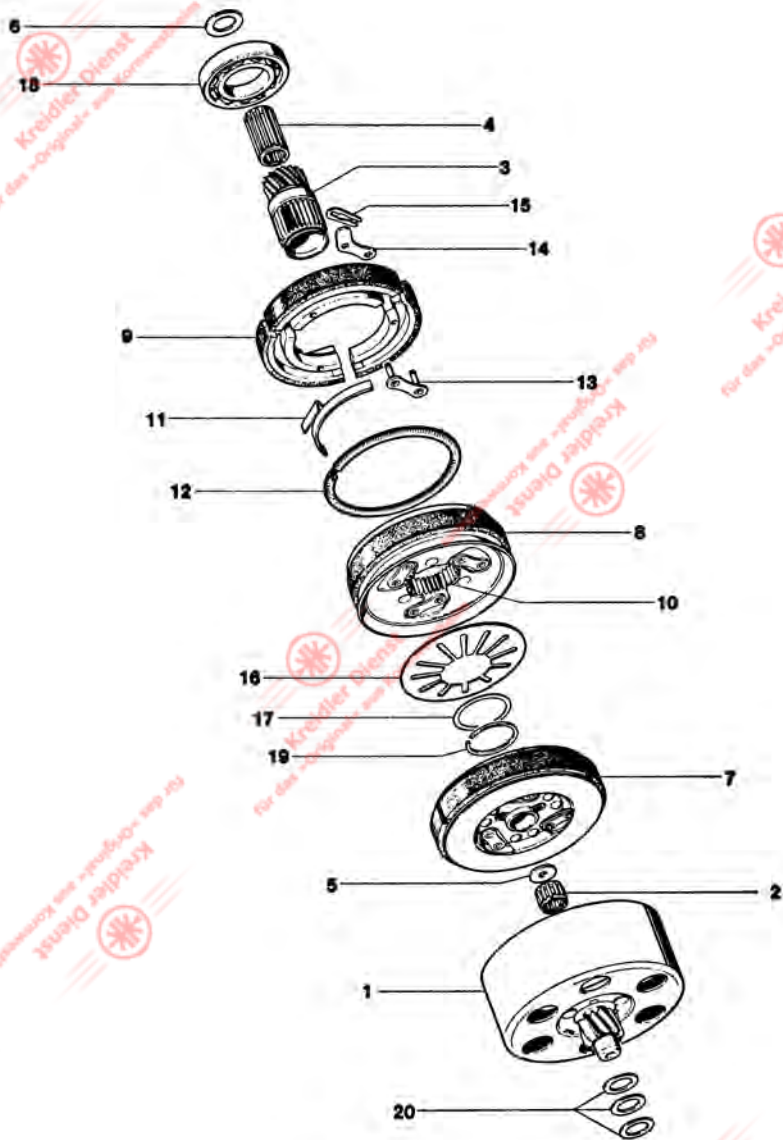
permissible radial clearance between gudgeon pin and needle cage to be within 8–16 micron.
Mate correspondingly when replacing the needle cage.



225 104 a

Group: Engine/Transmission

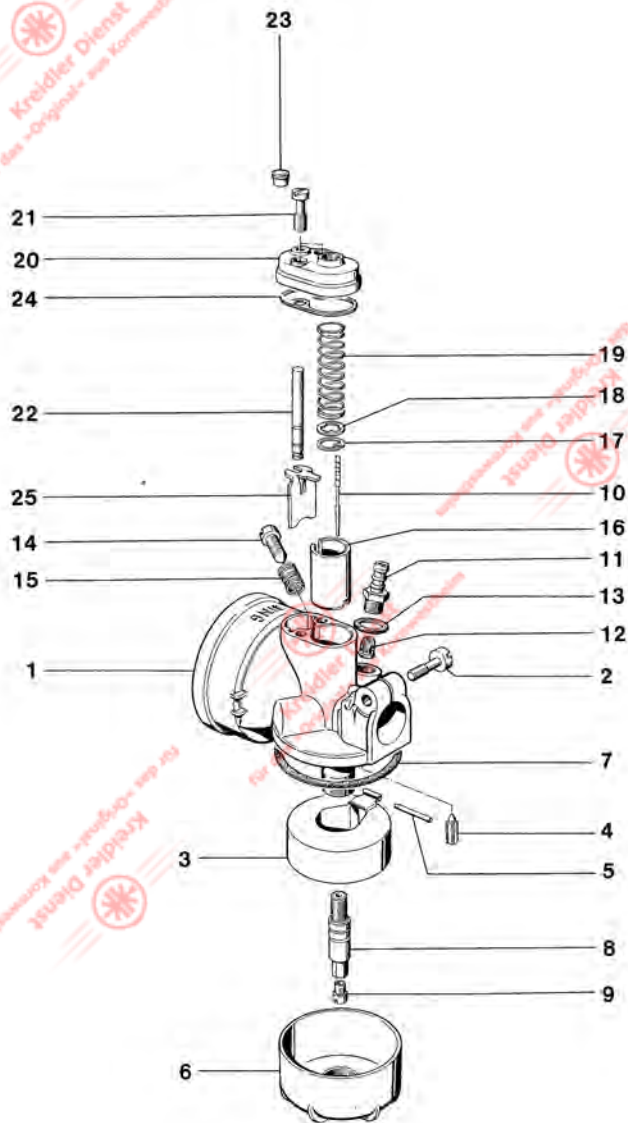
Illustr. No.	Part No.	Nomenclature	MP 9	MP 19
1	215.06.16	shaft	1	1
2	215.06.81	gear 92 teeth complete	1	1
—	215.06.03	▲ ratchet ring	1	1
3	215.06.17	pawl carrier	1	1
4	215.06.06	pawl	1	1
5	215.06.07	annular wire spring	1	1
6	215.06.02	gear 87 teeth	1	1
7	215.06.18	key	1	1
8	215.06.19	spacer bush	1	1
9	15.06.09	compensating washer 0.1 mm		as req.
—	15.06.12	compensating washer 0.3 mm		as req.
—	15.06.13	compensating washer 0.5 mm		as req.
10	215.09.29	sprocket 12 teeth	1	1
11	215.09.30	spacer bush	1	1
12	01.00.36	ring seal 14.75 x 1.5	1	1
—	00.47.50	lock plate	1	1
14	00.20.52	hex nut M12 x 1 DIN 936	1	1
—	215.09.11K	automatic transmission oil 330 cc	1	1
—	215.09.11W	automatic transmission oil 1.000 cc		as req.
15	00.46.60	snap ring 15 x 1 DIN 471	2	2



225 105 a

Group: Engine/Clutch

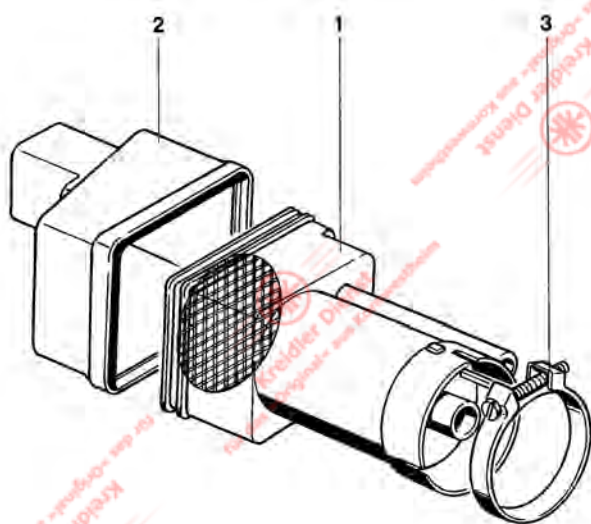
Illustr. No.	Part No.	Nomenclature	MP 9	MP 19
1	215.07.81	gear pinion 12 teeth complete	1	1
2	01.00.18	needle cage 10 x 13 x 10	1	1
3	215.07.02	gear pinion 18 teeth	1	1
4	01.00.29	needle cage 13 x 17 x 20	1	1
5	215.07.22	spacer	1	1
6	215.07.14	thrust washer	1	1
7	215.07.82	clutch I complete	1	1
8	215.07.85	clutch II complete	1	1
9	215.07.88	▲ centrifugal weight II complete	3	3
10	215.07.92	hub II complete	1	1
11	215.07.21	damping segment	3	3
12	215.07.09	bracing spring	1	1
13	215.07.90	riveted locking block	3	3
14	215.07.26	guide shackle	3	3
15	01.00.21	lock spring	3	3
16	215.07.18	disengaging spring	1	1
17	215.07.19	supporting ring	1	1
18	00.60.52	ball bearing 16006 DIN 625	1	1
19	00.45.20	circlip SW 26	1	1
20	15.06.09	compensating washer 0.1 mm		as req.
—	15.06.12	compensating washer 0.3 mm		as req.
—	15.06.13	compensating washer 0.5 mm		as req.



225 106 c

Group: Engine/Carburetor

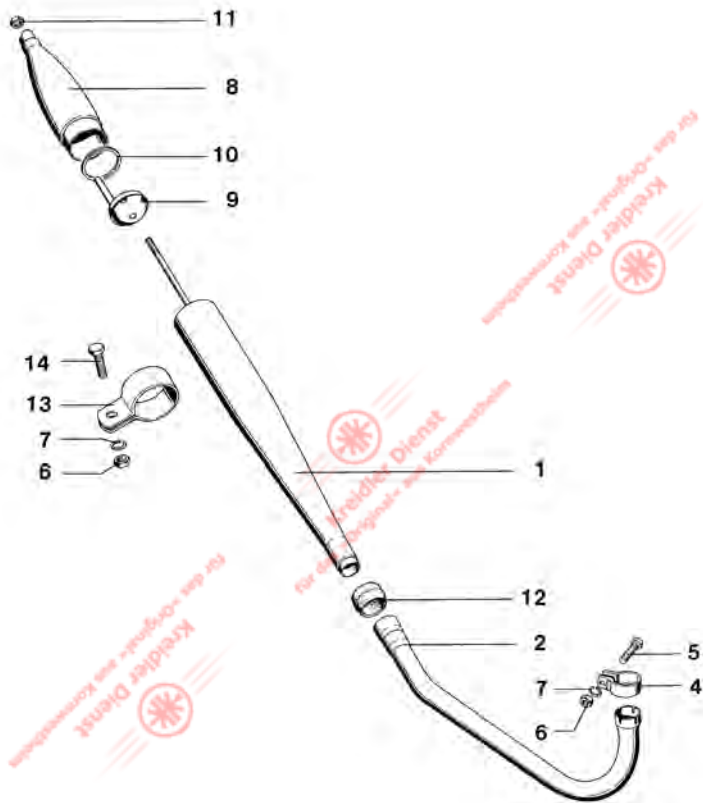
Illustr. No.	Part No.	Nomenclature	MP 9	MP 19
1	215.19.99	carburetor BING 1/12/260	1	1
2	07.15.08	▲ binding screw	1	1
3	07.16.06	float	1	1
4	07.15.44	float needle	1	1
5	07.15.16	pin	1	1
6	07.15.05	float cap	1	1
7	07.15.32	ring seal	1	1
8	07.16.20	needle jet 2.17	1	1
9	07.15.41	main jet 68	1	1
10	07.15.12	jet needle 2	1	1
11	07.15.15	hose socket	1	1
12	07.15.21	strainer	1	1
13	07.15.25	ring seal	1	1
14	07.15.14	adjusting screw	1	1
15	07.15.22	spring	1	1
16	07.15.99	throttle slide No. 10	1	1
17	07.15.18	retainer	1	1
18	07.15.55	disk	1	1
19	07.15.23	slide spring	1	1
20	07.16.25	cover	1	1
21	07.16.23	mounting screw	2	2
22	07.16.12	pressure pin complete	1	1
23	07.16.13	pushbutton	1	1
24	07.15.27	seal	1	1
25	07.15.20	starting slide	1	1



225 138 a

Group: Engine/Intake Silencer

Illustr. No.	Part No.	Nomenclature	MP 9	MP 19
1	215.03.27	intake chamber with filter	1	1
—	215.09.03	filter	1	1
2	215.03.28	chamber cover	1	1
3	215.13.81	clip dia. 58	1	1

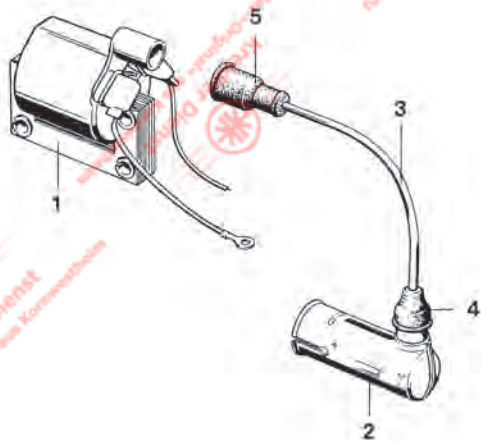
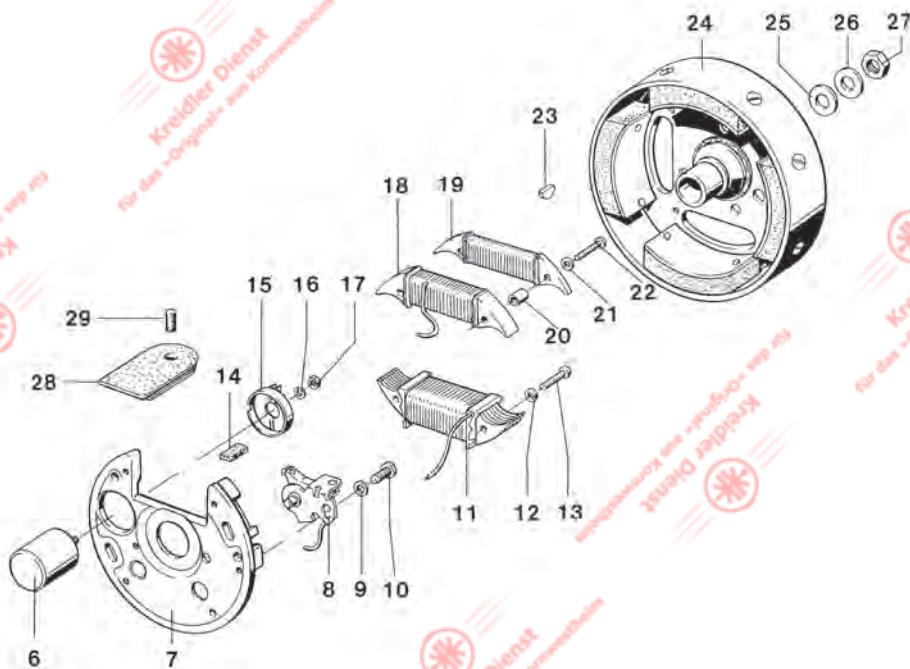


225 107 c

Group: Engine/Exhaust System

Illustr. No.	Part No.	Nomenclature	MP 9	MP 19
—	215.23.99*)	exhaust system , complete – straight, chrom.plated	1	1
—	215.23.89*)	exhaust system , complete – upswept, black	1	1
1	15.23.74b	▲ muffler , complete – straight, chrom.plated	1	1
—	15.13.64	▲ muffler , complete upswept, black	1	1
8	15.23.73a	▲ end cap	1	1
9	215.13.87a	muffler insert	1	1
10	215.13.04	sealing cord	1	1
11	02.00.02	lock nut	1	1
2	215.13.05	exhaust pipe	1	1
4	51.21.02.03a	clip	1	1
5	00.10.10	hex head screw M8 x 30 DIN 933	1	1
6	00.20.16	hex nut M8 DIN 934	2	2
7	00.43.29	spring washer B8 DIN 127	2	2
12	215.13.06	sealing bush	1	1
13	215.13.09	clip (chromed)	1	1
13	215.23.49	clip (black)	1	1
14	00.11.58	hex head screw M8 x 22 DIN 933	1	1

*) Exhaust system 215.23.99, 215.23.89 resp. (cross version) were installed alternatively.
For orders please check by sample or on vehicle.

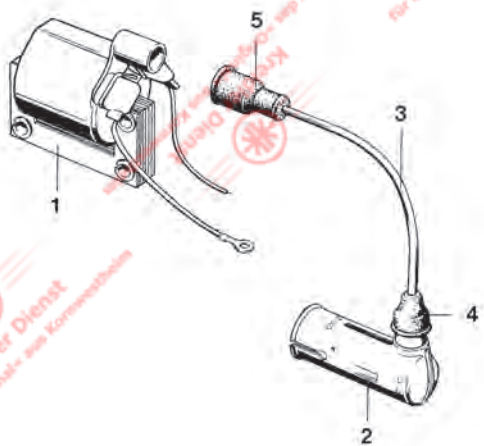
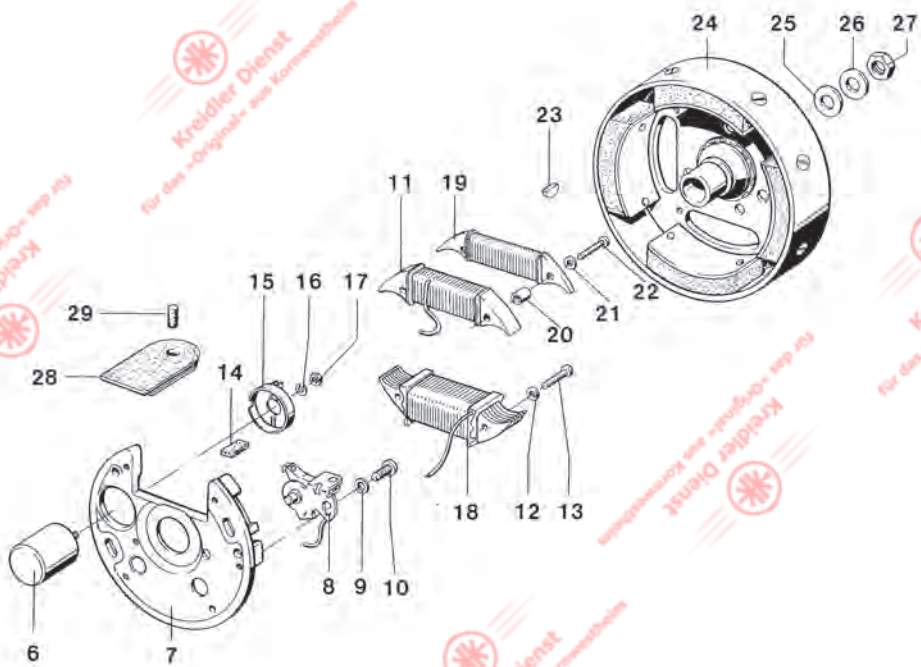


225 139 a

Group: Engine/Magneto generator

to frame No. 2412921 / to engine No. 2427425

Illustr. No.	Part No.	Nomenclature	MP 9
1	15.22.96	ignition coil	1
—	215.02.84	generator cable (blue)	1
—	15.22.92a	earth cable (black)	1
—	15.22.12	protective cap	2
—	215.02.86	ignition cable complete	1
2	15.22.15	▲ partially shielded suppressing socket	1
3	15.22.02	ignition cable	1
4	15.22.03	protective cap	1
5	15.22.03	protective cap	1
—	215.02.83	magneto generator 6 V 27/10W complete	1
6	08.19.37	▲ capacitor (incl. pos. 15–17)	1
7	08.19.32	armature plate, stripped	1
8	08.19.13	set of contacts	1
9	08.19.04	assortement (containing screws)	1
10	08.19.04	assortement (containing fillister head screws)	1
11	08.19.36	generator armature 27W (headlight)	1
12	08.19.04	assortement (containing screws)	2
13	08.19.04	assortement (containing fillister head screws)	2
14	08.16.51	lube wick (cam)	1
18	08.19.34	magneto generator armature (brakelight)	1
19	08.19.35	generator armature (taillight)	1
20	08.16.67	spacer	2
21	08.19.04	assortement (containing spring lock washer)	2
22	08.19.04	assortement (containing fillister head screws)	2
23	00.80.03	— woodruff key	1
24	08.19.32	flywheel	1
25	00.43.65	spring lock washer B8	1
27	00.20.17	hex. nut	1
28	215.02.01	wire support	1
29	215.02.15	reducing rubber	1
—	00.11.37	hex. head screw M5 x 25 DIN 933	2
—	00.20.02	hex. nut M5 DIN 934	2
—	00.40.66	toothed washer springy A5.1 DIN 6797	2

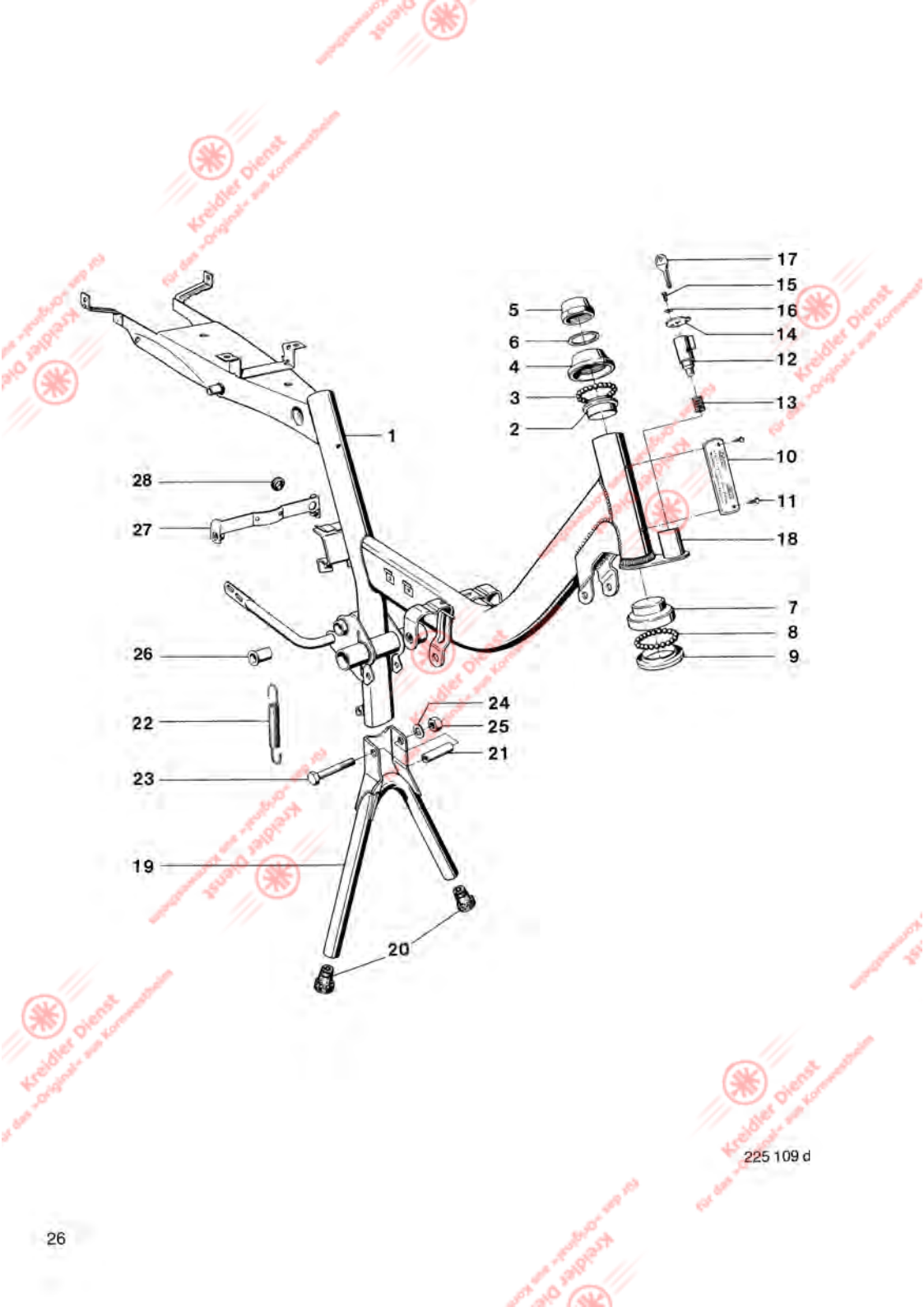


225 139 a1

Group: Engine/Magneto generator

MP 9 from frame No. 2412922 from engine No. 2427426

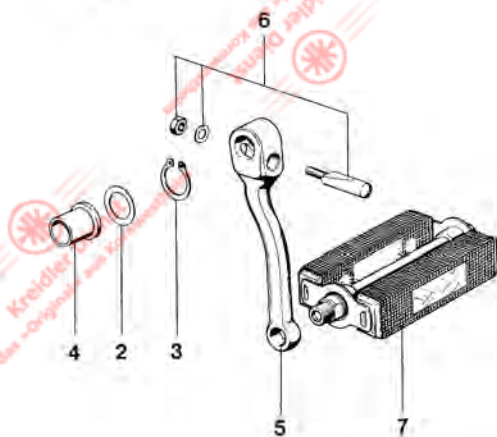
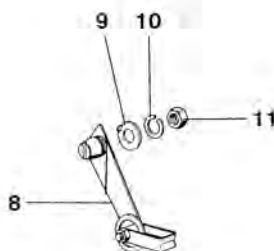
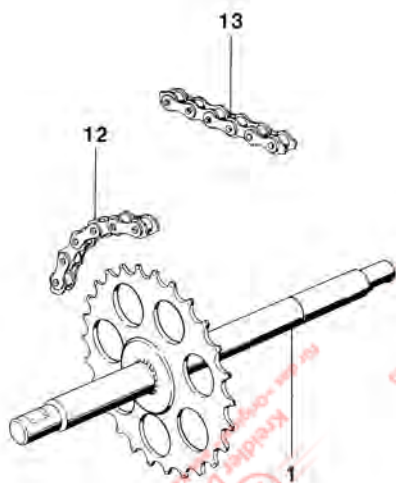
Illustr. No.	Part No.	Nomenclature	MP 9	MP 19
1	15.22.96	ignition coil	1	1
—	215.02.84	generator cable (blue)	1	1
—	15.22.92a	earth cable (black)	1	1
—	15.22.12	▲ protective cap	2	2
—	215.02.86	ignition cable, complete	1	1
2	15.22.18	▲ partially shielded suppressing socket	1	1
3	15.22.02	ignition cable	1	1
4	15.22.03	protective cap	1	1
5	15.22.03	protective cap	1	1
—	215.02.89	magnetogenerator 6V 27/15W	1	—
—	215.02.90	magnetogenerator 6V 32/10W	—	1
—	08.19.53	▲ armature plate, complete	1	—
—	08.19.59	armature plate, complete	—	1
6	08.19.37	▲ capacitor including mounting parts item 15–17	1	1
7	08.19.32	armature plate, stripped	1	1
8	08.19.13	set of contacts	1	1
9	08.19.37	spring washer – part of set	2	2
10	08.19.37	screw – part of set	2	2
11	08.19.54	generator armature 27W (headlight)	1	—
—	08.19.34	generator armature 32W	—	1
12	08.19.37	spring washer-part of set	2	2
13	08.19.37	screw – part of set	—	—
14	08.16.51	lubricating felt (cam)	1	1
18	08.19.55	generator armature (brakelight)	1	—
—	08.19.61	generator armature (brakelight)	—	1
19	08.19.60	generator armature (taillight)	—	1
20	08.19.37	spacer – part of set	—	2
21	08.19.37	washer – part of set	2	2
22	08.19.37	screw – part of set	2	2
23	00.80.03	— woodruff key	1	1
24	08.19.52	flywheel	1	—
—	08.19.58	flywheel	—	1
25	00.43.24	spring washer B8	1	1
27	00.20.23	hex nut M8	1	1
28	215.02.01	cable grommet	1	1
29	215.02.15	reducing rubber	1	1
—	00.11.37	hex head screw M5 x 25	2	2
—	00.20.02	hex nut M5	2	2
—	00.40.66	tooth lock washer A 5.1	2	2



225 109 d

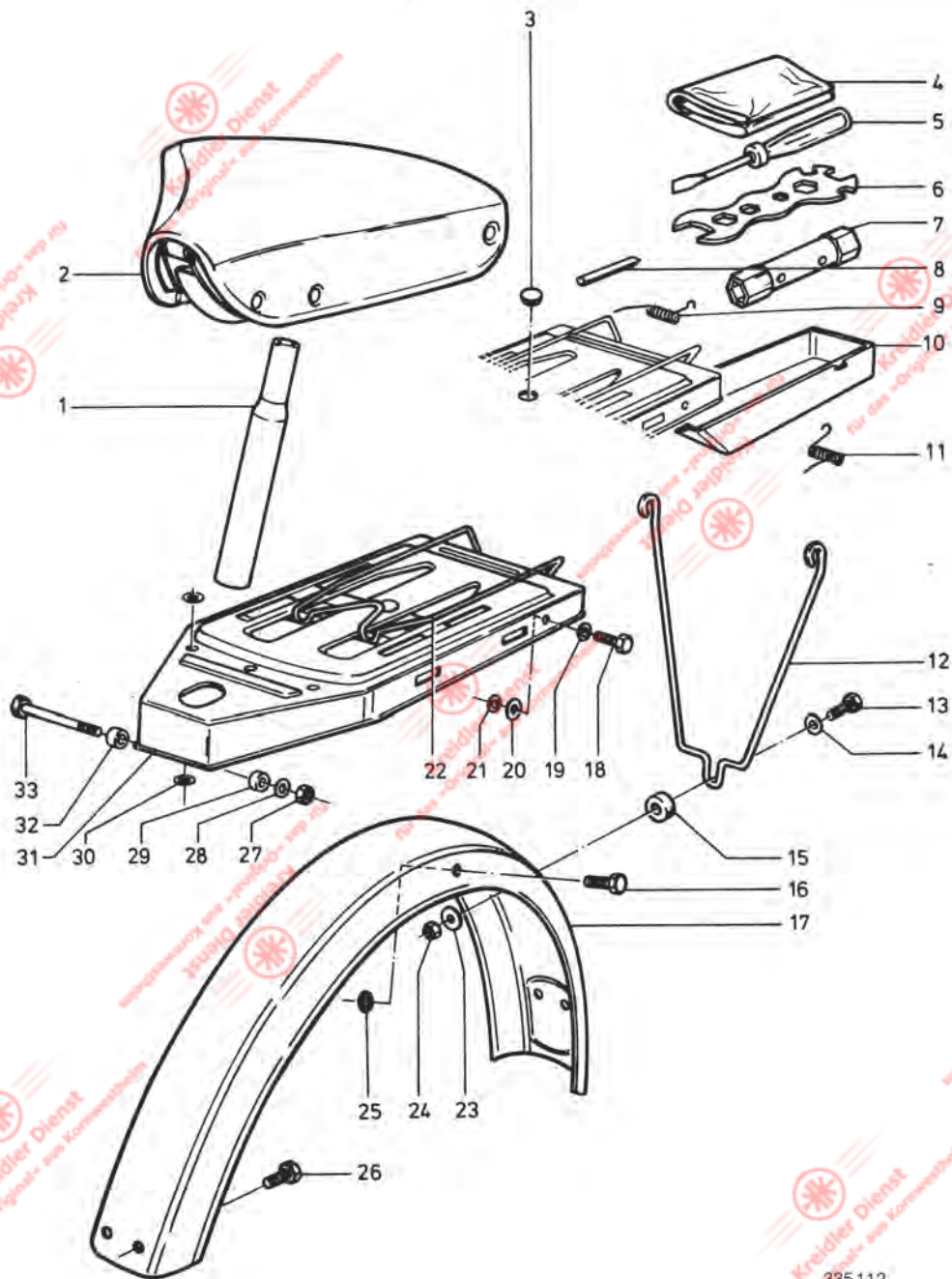
Group: Frame / Frame, Type Plate, Steering Lock, Steering Head Bearing, Stand

Illustr. No.	Part No.	Nomenclature	MP 9	MP 19
1	235.12.93	frame complete	1	—
—	235.12.89	frame complete	—	1
—	235.01.99	steering head bearing, top	1	1
2	235.01.01	▲ steering collar, top	1	1
3	00.69.27	↑ steel ball 3/16"	22	22
4	235.01.02	↓ threaded cone	1	1
5	335.01.01	cap nut	1	1
6	235.01.10	washer	1-3	1-3
—	235.01.98	steering head bearing, bottom	1	1
7	235.01.05	▲ steering collar, bottom	1	1
8	00.69.27	↑ steel ball 3/16"	22	22
9	235.01.04	↓ fork cone	1	1
10	235.01.37	type plate (Aluminium)	1	—
—	235.01.41	type plate (self-adhesive-label)	—	1
11	00.55.18	grooved piu 3 x 4 DIN 1476	2	—
12	27.00.91	steering lock with two keys	1	1
13	27.00.03	pressure spring	1	1
14	235.01.21	cover	1	1
15	00.55.15	grooved pin 3 x 8 DIN 1476	1	1
16	00.43.69	spring lock washer A3 DIN 137	1	1
17	09.12.17	key	2	2
		(state key-No. when ordering replacements)		
18	37.09.05	lock sleeve (welded on frame)	1	1
19	235.06.94	stand	1	1
20	235.06.13	plug	2	2
21	235.06.15	spacer pipe	1	1
22	37.26.05	tension spring	1	1
23	00.10.69	hex. head screw M8 x 70	1	1
24	00.43.58	spring lock washer B8 DIN 137	1	1
25	00.29.32	lock nut NM8	1	1
26	37.22.40a	bushing for link bracket	2	2
27	235.11.97	bracket for engine cowling	1	1
28	57.64.01	socket	1	1



Group: Frame/Tread Shaft, Chain Guide

Illustr. No.	Part No.	Nomenclature	MP 9	MP 19
1	235.09.92	tread shaft complete	1	1
2	235.09.11	thrust washer, ID 18	1-3	1-3
3	00.46.66	snap ring 18 x 1,2 DIN 471	1	1
4	235.09.12	sleeve for tread shaft bearing	2	2
5	235.09.14	crank knee to the left	1	1
—	235.09.15	crank knee to the right	1	1
6	15.08.01	BSA-key complete	2	2
7	235.09.90	reflecting pedal, left	1	1
—	235.09.91	reflecting pedal, right	1	1
8	235.11.99	chain adjuster complete	1	1
9	235.11.04	▲ stop disk	1	1
10	00.43.66	spring washer B7 DIN 137	1	1
11	00.20.24	hex nut M7 DIN 934	1	1
12	235.01.30	roller chain $\frac{1}{2} \times \frac{1}{8}$ "', 86 links	1	1
—	01.00.27	▲ lock $\frac{1}{2} \times \frac{1}{8}$ "	1	1
13	27.00.92	roller chain $\frac{1}{2} \times \frac{3}{16}$ "', 102 links	1	1
—	00.93.16	▲ lock $\frac{1}{2} \times \frac{3}{16}$ "	1	1
—	00.93.16a	lock $\frac{1}{2} \times \frac{3}{16}$ "	1	1



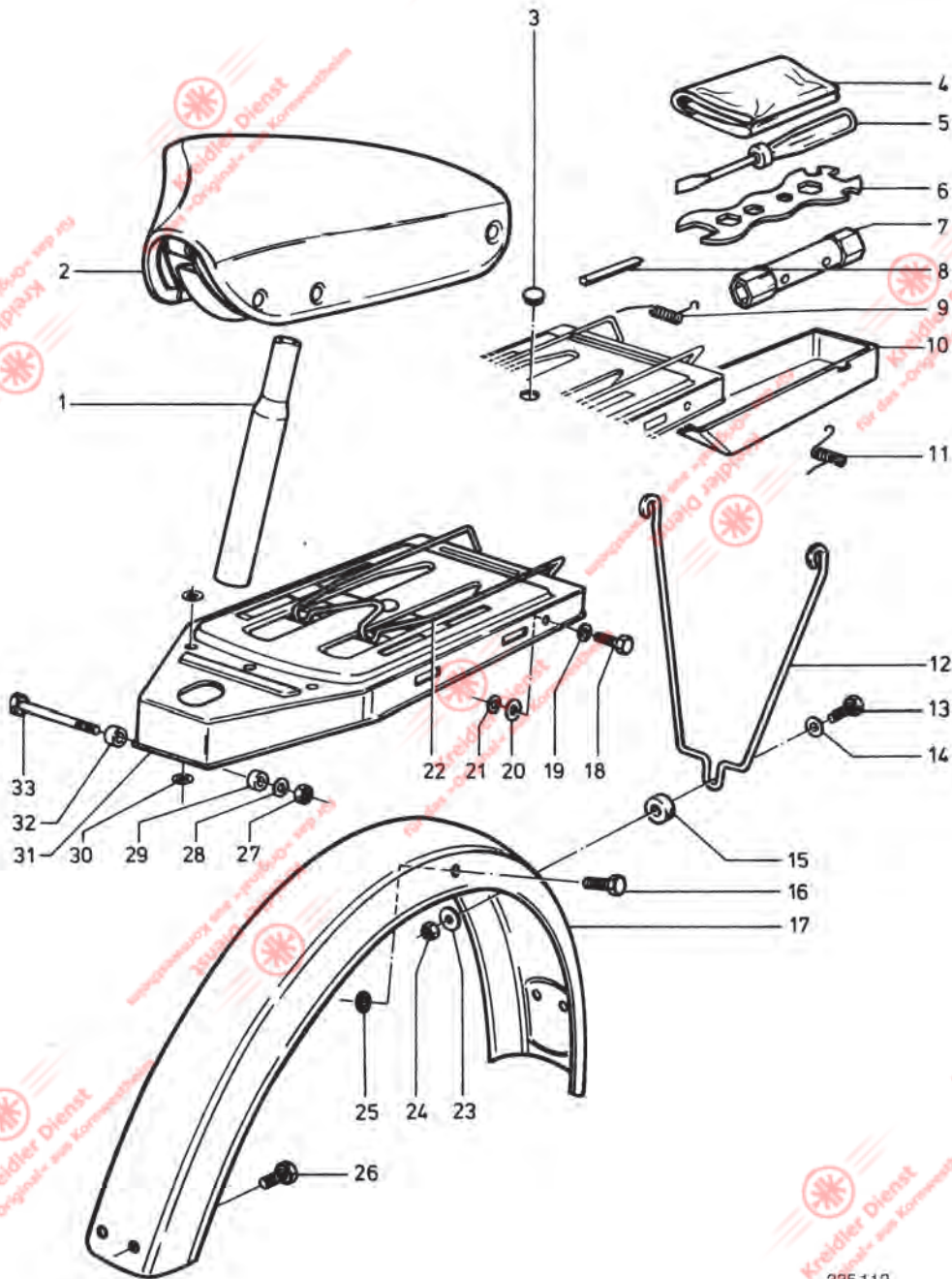
335 112

Group: Frame/Saddle, Tool Set, Tool Set Box, Rear Fender, Luggage Carrier

Illustr. No.	Part No.	Nomenclature	MP 9	MP 19
1	235.04.01	seat support	1	—
2	335.04.99	swing saddle	1	—
3	15.04.17	socket	1	—
—	235.01.95*)	tool kit , complete	1	—
—	235.01.94**)	tool kit , complete	1	1
5	91.01.05	▲ screw driver	1	1
—	235.01.40*	screw driver	1	1
6	235.01.18a	multi-hole wrench	1	1
—	235.01.95	multi-hole wrench	1	1
7	235.01.31	spark plug socket wrench	1	1
—	235.01.20	inflation pump	1	1
8	235.04.11	rub rail	4	—
9	235.04.10	torsion spring right	1	—
—	235.04.19	torsion spring cap	1	—
10	235.01.16	tool kit box	1	—
11	235.04.09	torsion spring left	1	—
—	235.04.19	torsion spring cap	1	—
12	235.15.03	fender brace	1	—
—	335.05.01	fender brace	—	1
13	00.11.26	hex head screw M6 x 18 DIN 933	1	—
14	00.33.50	washer 6.4 DIN 9021	1	1
15	97.20.01	rubber ring	1	—
16	00.11.42	hex head screw M6 x 16 DIN 933	2	2
17	335.05.98	rear fender , stainless steel	1	—
17	335.05.09	rear fender , stainless steel	—	1
18	00.11.17	hex head screw M6 x 20 DIN 933	2	—
19	00.30.02	washer 6.4 DIN 125	2	—
20	00.33.50	washer 6.4 DIN 9021	2	—
21	00.40.63	tooth lock washer A 6.4 DIN 6797	2	—
22	235.04.08	spring flap	1	1

*) MP 9 to frame No. 2412921

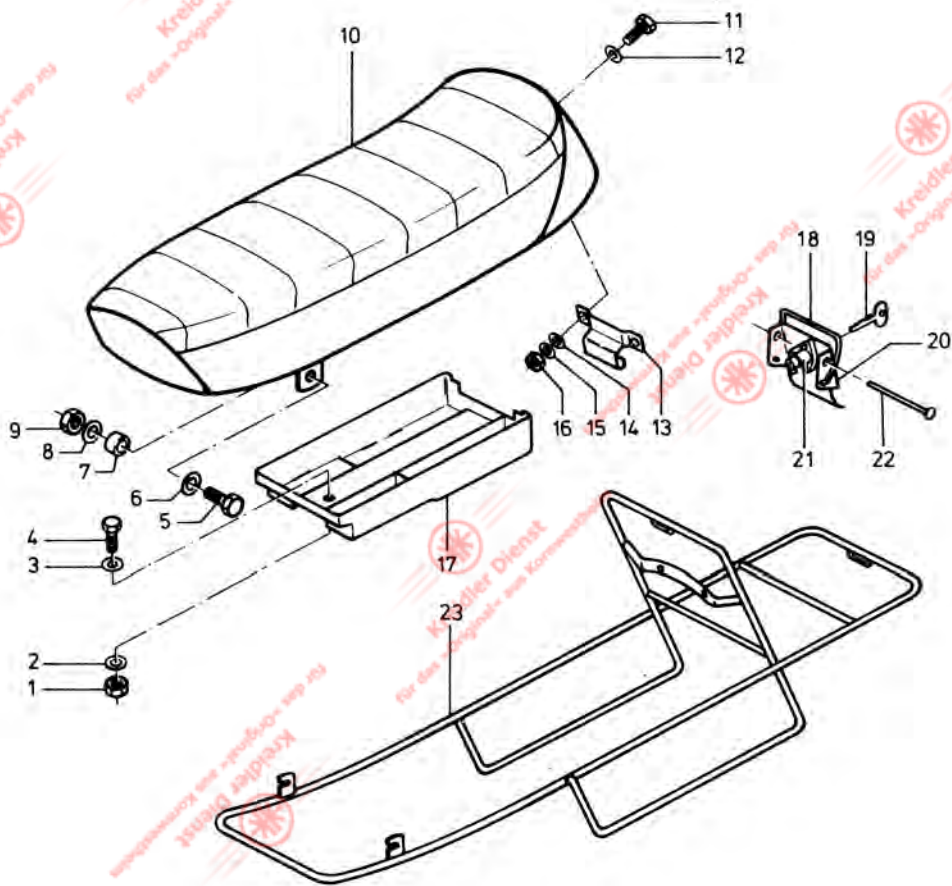
**) MP 9 from frame No. 2412922



385 112

Group: Frame/Saddle, Tool Set, Tool Set Box, Rear Fender, Luggage Carrier

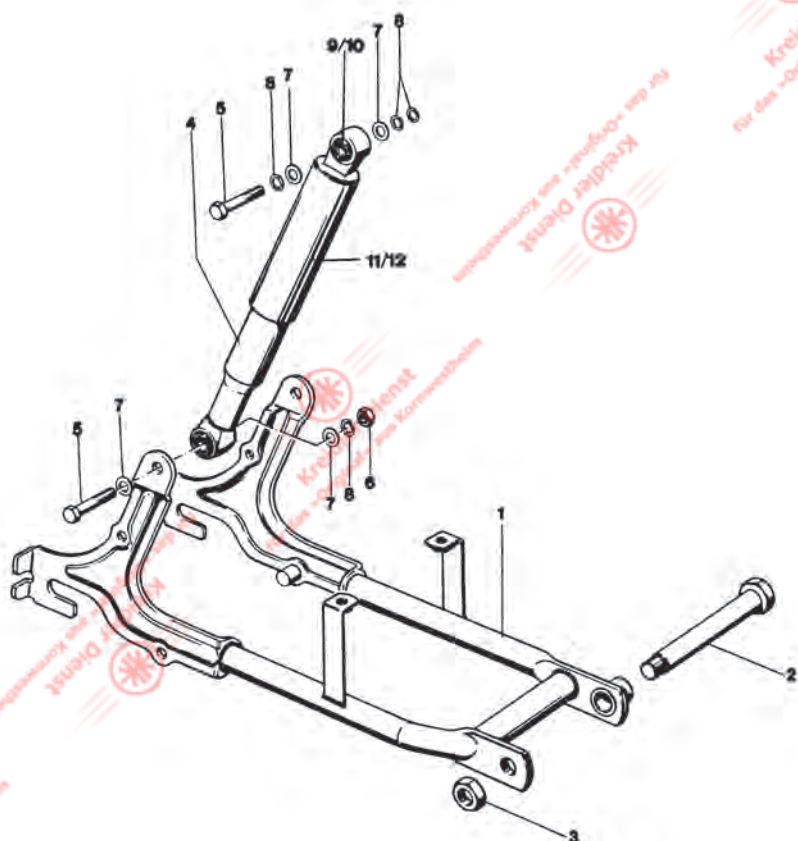
Illustr. No.	Part No.	Nomenclature	MP 9	MP 19
23	00.33.50	washer 6.4 DIN 9021	1	1
24	00.21.51	hex nut M6 DIN 895	1	1
25	00.40.63	tooth lock washer A 6.4 DIN 6797	2	2
26	00.11.26	hex head screw M6 x 18 DIN 933	2	2
27	00.20.16	hex nut M8 DIN 934	1	-
28	00.43.67	spring washer B8 x 15 DIN 137	-	1
29	235.14.03	spacer sleeve	1	-
30	00.30.02	washer 6.4 DIN 125	4	-
31	235.14.98	luggage carrier	1	-
32	235.14.03	spacer sleeve	1	-
33	00.10.22	hex head screw M8 x 55 DIN 931	1	1



335 113

Group: Frame/Seat, Tool Box, Luggage Carrier

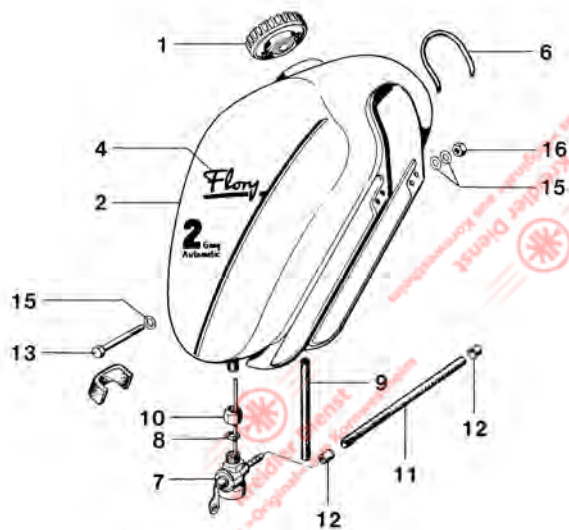
Illustr. No.	Part No.	Nomenclature	MP 9	MP 19
1	00.20.10	hex nut M6 DIN 934	—	1
2	00.40.63	tooth lock washer A 6.4 DIN 6797	—	1
3	00.30.02	washer A 6.4 DIN 9021	—	1
4	00.11.17	hex head screw M6 x 20 DIN 933	—	1
5	00.11.58	hex head screw M8 x 22 DIN 933	—	2
6	00.30.03	washer A 8.4 DIN 125	—	4
7	335.04.04	seat bush	—	2
8	00.43.58	spring washer A8 DIN 137	—	2
9	00.20.13	hex nut M8 DIN 934	—	2
10	335.04.93	seat	—	1
11	00.11.17	hex head screw M6 x 20 DIN 933	—	2
12	00.30.02	washer A 6.4 DIN 125	—	2
13	335.04.01	hook plate	—	1
14	00.30.02	washer A 6.4 DIN 125	—	2
15	00.43.57	spring washer A6 DIN 137	—	4
16	00.20.10	hex nut M6 DIN 934	—	2
17	335.01.05	tool box	—	1
—	97.03.13	rubber mushroom shaped	—	2
—	335.04.96	lock, complete	—	1
18	335.04.03	▲ clamp lock	—	1
19	335.04.05a	key (quote key-No. with order)	—	1
20	335.04.02	clasp	—	1
21	335.04.97	lock	—	1
—	00.59.06	rivet B3 x 8 DIN 7338	—	2
22	00.58.20	button head rivet 4 x 52 DIN 660	—	1
23	335.04.94	luggage carrier	—	1
—	97.80.01	tensioning strap	—	1



225 135

Group: Frame/Rear Wheel Swinging Arm, Spring Strut

Illustr. No.	Part No.	Nomenclature	MP 9	MP 19
1	235.03.00	swinging arm complete	1	1
2	235.03.10	screw for swinging arm mounting	1	1
3	00.20.53	hex. nut M12 x 1.25 DIN 936	1	1
4	235.03.95	spring strut	2	—
4	235.03.94	spring strut	—	2
5	00.10.75	hex. head screw M8 x 35 DIN 931	4	2
5	00.10.74	hex. head screw M8 x 40 DIN 931	—	2
6	00.20.16	hex. nut M8 DIN 934	2	2
7	00.30.03	washer B8.4 DIN 125	8	8
8	00.43.58	spring lock washer B8 DIN 137	8	8
9	03.04.13	silent bloc	1	—
10	03.04.14	bearing bushing	1	—
11	03.04.15	protective sleeve	1	—
12	03.04.16	spring	1	—
—	03.04.17	rubber pad	1	—



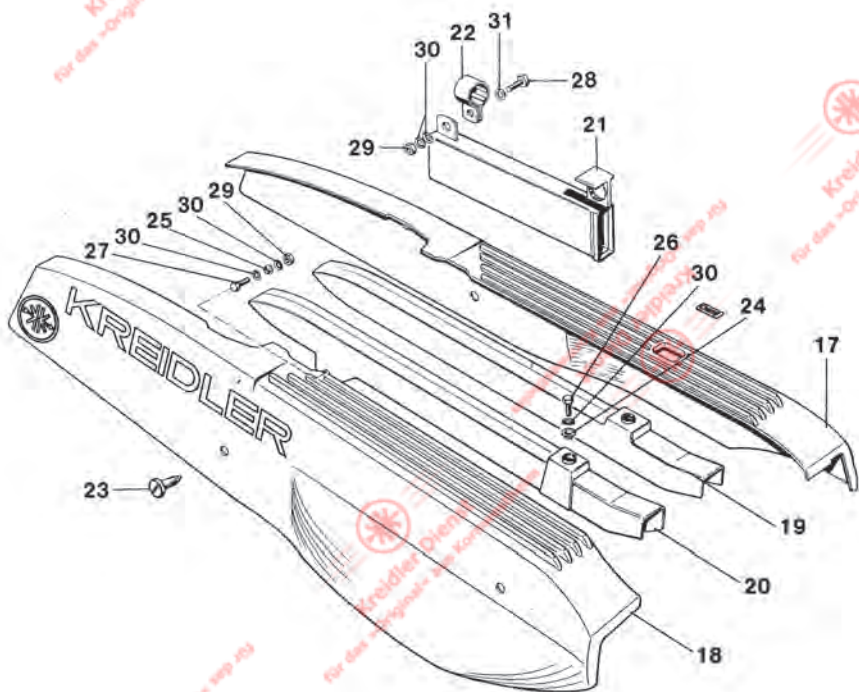
225112 d

Group: Fuel System/Fuel Tank, Fuel Cock

Illustr. No.	Part No.	Nomenclature	MP 9	MP 19
1	00.93.60	tank cap	1	1
2	335.08.88 ¹⁾	fuel tank , chromed	1	—
—	335.08.01	▲ decal, left	1	—
—	335.08.02	▲ decal, right	1	—
—	235.18.04	fancy line	2	—
—	235.01.29	decal "automatic"	2	—
—	235.18.09	decal "oil mixture"	1	—
—	235.18.10	decal "on-off-res."	1	—
2	335.08.88a [*]	fuel tank , chromed	1	1
—	235.08.01	▲ decal "KREIDLER"	2	2
—	235.08.02	▲ decal "KK"	2	2
—	235.18.09	▲ decal "oil mixture"	1	1
6	335.08.06	edge protective profile	1	1
—	335.08.07	support	1	1
7	235.18.12	fuel cock , complete	1	1
8	00.70.25	▲ fiber seal	1	1
9	00.07.07	▲ strainer	1	1
10	00.07.06	▲ cap nut	1	1
11	00.93.27	fuel house C5 x 9 x 20 DIN 73379	1	1
12	00.93.40	hose fitting	2	2
13	00.10.57	hex. head screw M6 x 65 DIN 931	1	1
—	00.30.02	washer 6.4 DIN 125	1	1
15	00.43.57	spring lock washer B6 DIN 137	2	2
16	00.20.10	hex. nut M6 DIN 934	1	1

¹⁾ MP 9 to frame No. 2409541

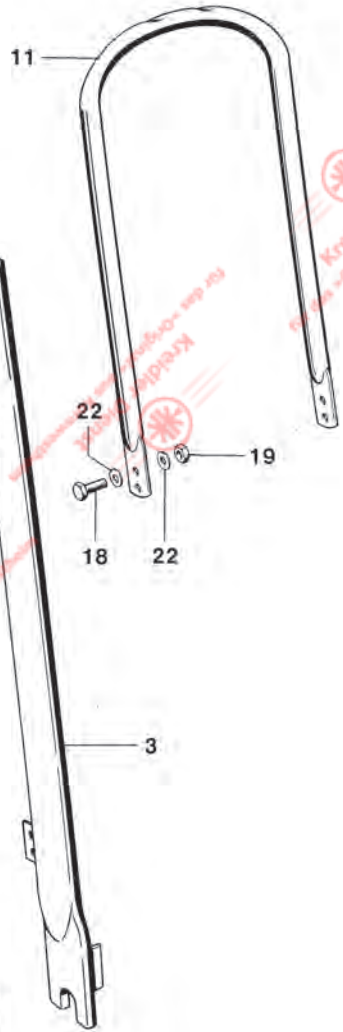
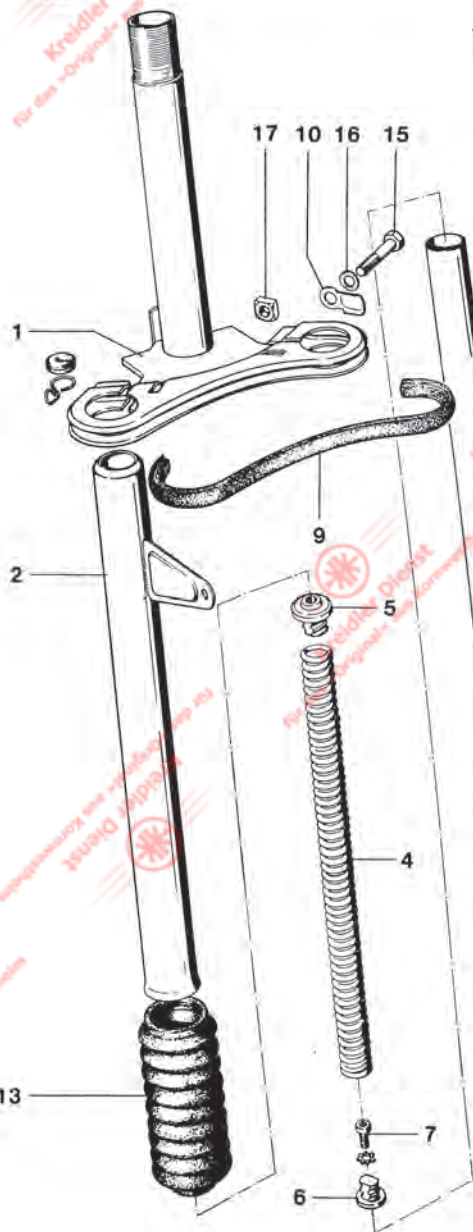
^{*}) MP 9 from frame No. 2409542



225112 e

Group: Cowling/Engine Cowling, Chain Guard

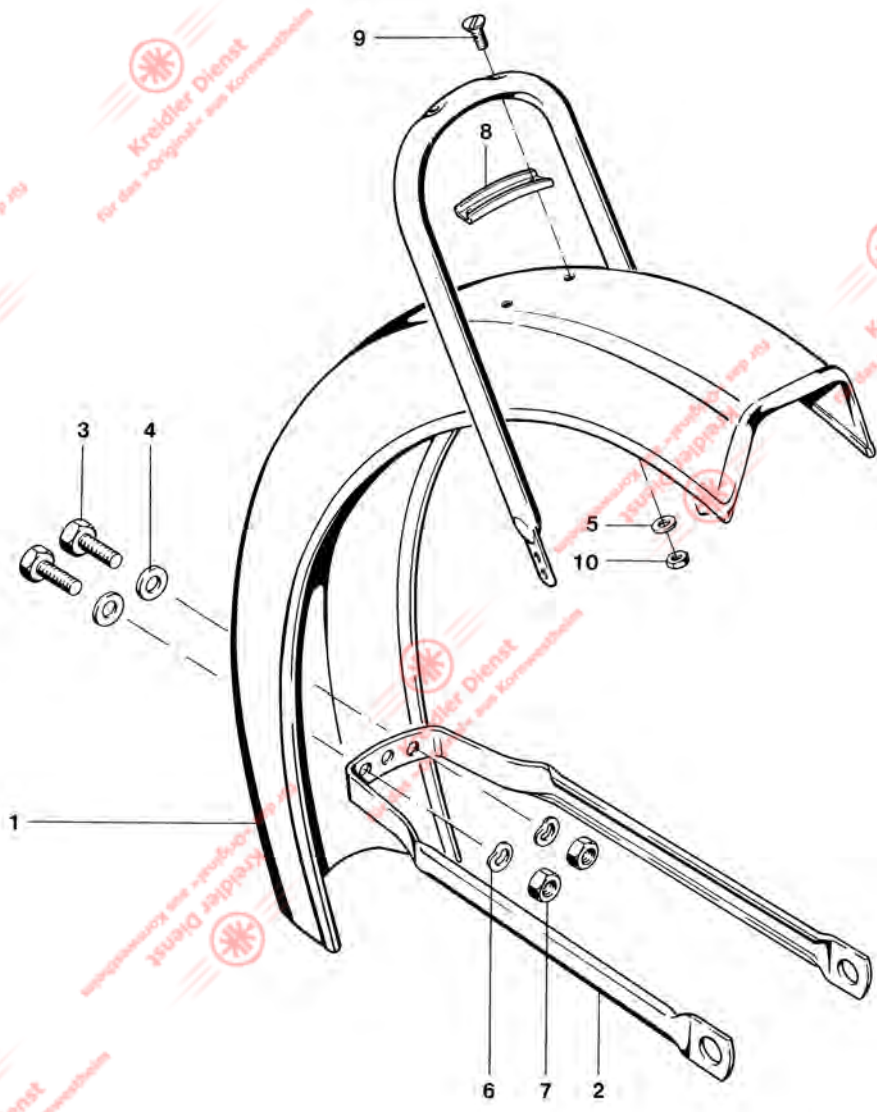
Illustr. No.	Part No.	Nomenclature	MP 9	MP 19
17	235.17.09	engine cowling left	1	1
18	335.17.03	engine cowling right	1	1
—	335.07.03	decals for cowling left	1	1
—	335.07.04	decals for cowling right	1	1
—	235.07.09	decals "choke"	1	1
23	235.17.07	screw	4	4
19	235.17.03	chain guard left	1	1
20	235.17.04	chain guard right	1	1
21	235.17.05	chain guide	1	1
22	235.17.06	pipe clip	1	1
24	00.59.15	pipe rivet A 10 x 1 x 5 DIN 7340	2	2
25	47.65.02	pipe rivet	2	2
26	00.11.16	hex. head screw M6 x 16 Z3 DIN 933	2	2
27	00.11.16	hex. head screw M6 x 16 DIN 933	2	2
28	00.10.53	hex. head. screw M6 x 22 DIN 933	1	1
29	00.20.10	hex. nut M6 DIN 934	3	3
30	00.43.57	spring lock washer B6 DIN 137	8	8
31	00.30.02	washer 6.4 DIN 125	1	1



225 113 b

Group: Teleskope-Type Fork/Teleskope-Type Fork Complete

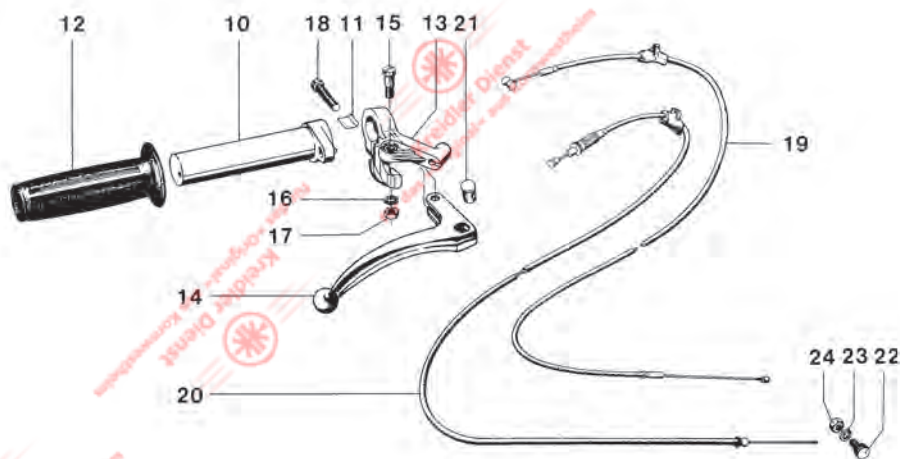
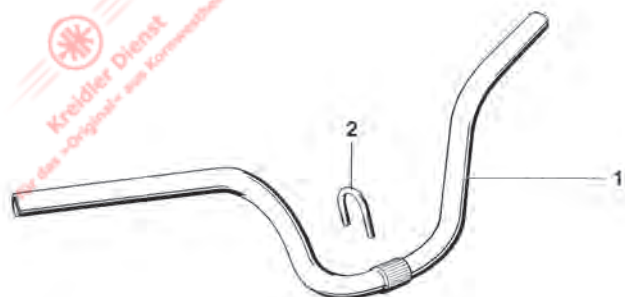
Illustr. No.	Part No.	Nomenclature	MP 9	MP 19
—	255.52.00	telescope-type fork complete	1	1
1	255.22.99	▲ fork body	1	1
2	355.22.99	stand pipe left	1	1
—	355.22.98	stand pipe right	1	1
3	355.02.97	sliding tube left	1	1
—	355.02.96	sliding tube right	1	1
4	255.22.12	pressure spring	2	2
5	355.02.11	spring stud top	2	2
6	255.22.06	spring stud bottom	2	2
7	00.17.79	fillister screw M6 x 25 Z5 DIN 912	2	2
8	355.02.07	cover plate	1	1
9	235.04.11	cover strip	1	1
10	255.22.15	bracket	2	2
11	355.02.12	yoke	1	1
—	265.03.03	eye	2	2
—	57.64.01	grommet	2	2
13	355.02.08	bellows	2	2
—	01.00.14	ring seal 20x2.5	2	2
15	00.10.78	hex. head screw M8 x 50 DIN 931	2	2
16	00.43.57	spring lock washer B8 DIN 137	2	2
17	00.24.01	square nut M8 DIN 557	2	2
18	00.11.32	hex. head screw M6 x 12 DIN 933	4	4
19	00.20.10	hex. nut M6 DIN 934	4	4
20	00.11.55	hex. head screw M8 x 25 DIN 933	2	2
21	00.30.03	washer A8.4 DIN 125	2	2
22	00.43.57	spring lock washer B6 DIN 137	8	8
—	05.05.04	semi-fluid grease Shell-Alvania-3 (20–25 g/fork)		



225 125 d

Group: Telescope-type Fork/Front Fender

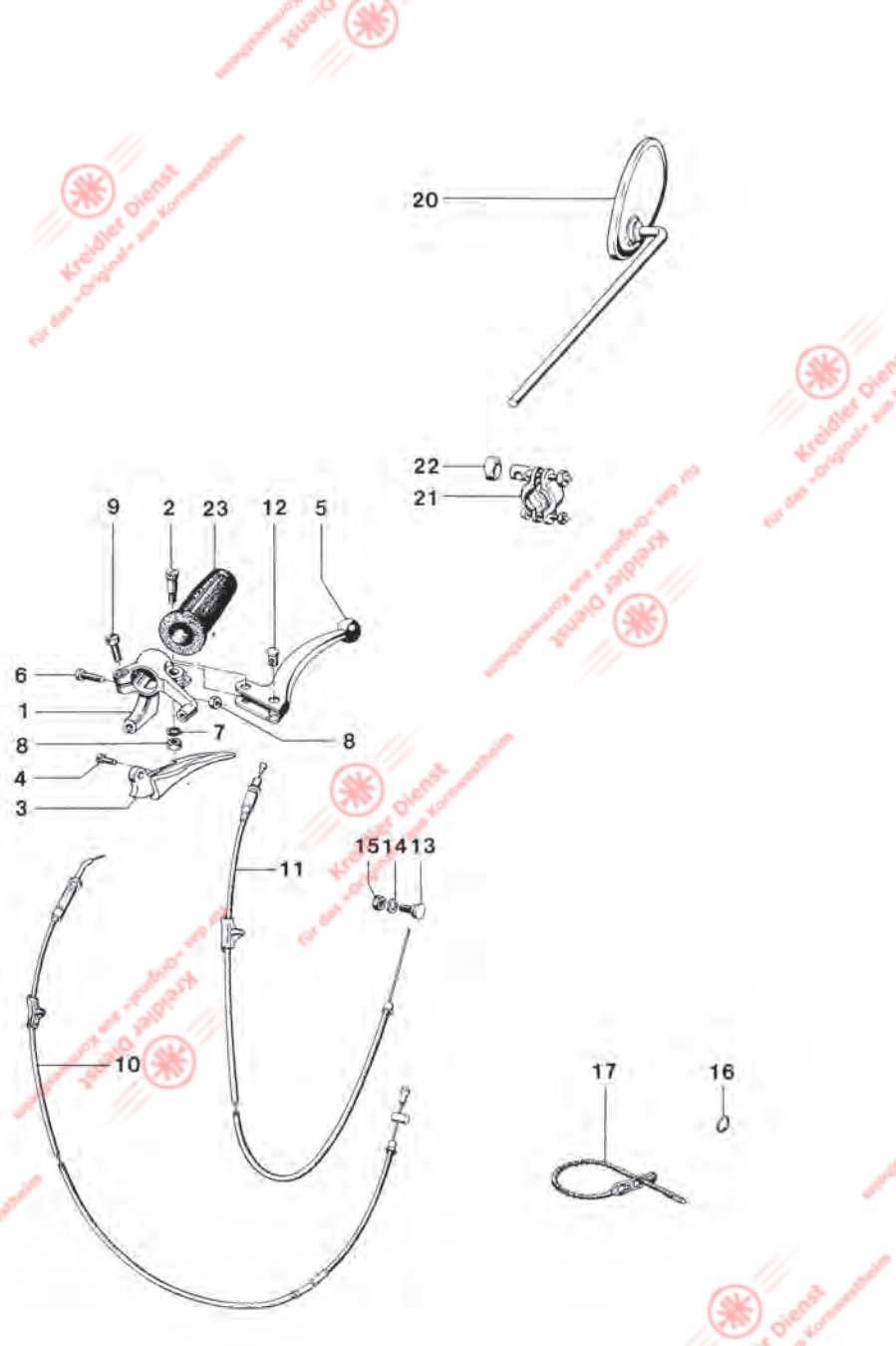
Illustr. No.	Part No.	Nomenclature	MP 9	MP 19
1	255.06.11	front fender , varnished	1	1
—	355.06.04	front fender , stainless steel	1	1
2	255.06.03	rear brace	1	1
3	00.11.13	hex. head screw M6 x 12 DIN 933	2	2
4	00.30.02	washer 6.4 DIN 125	2	2
5	00.33.54	washer A4.3 DIN 9021	2	2
6	00.43.57	spring lock washer B6 DIN 137	2	2
7	00.20.10	hex. nut M6 DIN 934	2	2
8	57.05.30	fender shim	1	1
9	00.16.16	oval head countersunk screw M4 x 20 DIN 964	2	2
10	00.29.31	hex. nut NM4 DIN 980	2	2
—	235.01.38	decals "2-speed-automatic"	1	1
—	235.01.39	decals "pressure"	1	1



225 115.d

**Group: Handlebar/Handlebar, Throttle Twist Grip, Brake-light Switch,
Throttle Control Cable, Front Wheel Brake Cable**

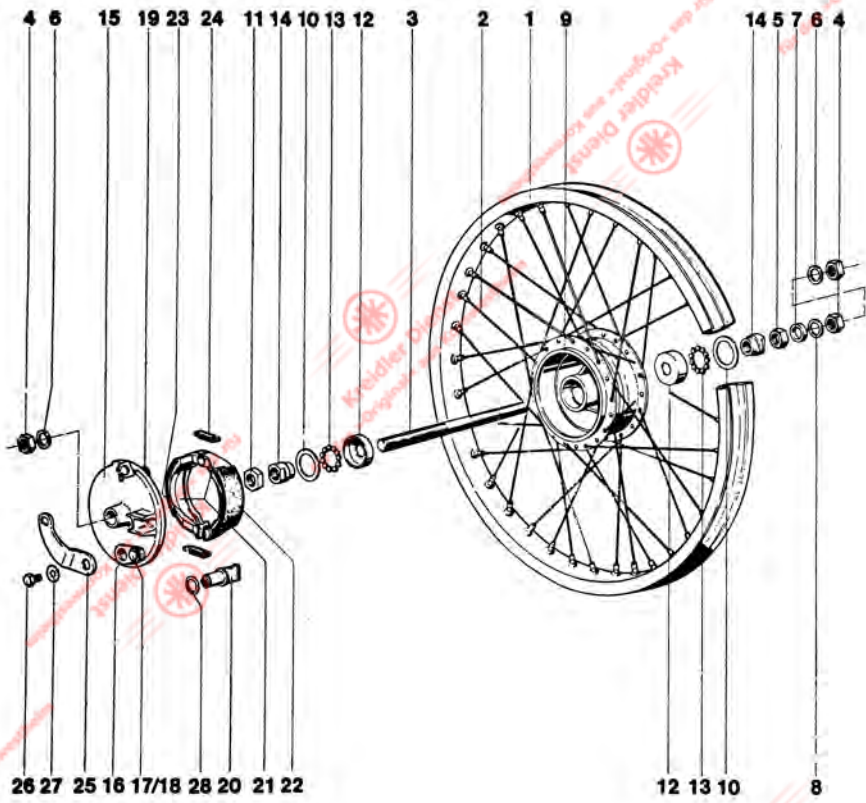
Illustr. No.	Part No.	Nomenclature	MP 9	MP 19
1	355.03.01	handlebar	1	—
—	355.03.02	handlebar	—	1
2	57.07.13	clamping bow	2	2
3	57.07.04	base	2	2
4	57.07.05	hex. nut	4	4
5	00.43.66	Spring lock washer	4	4
—	255.13.93	throttle twist grip complete	1	—
—	255.13.90	throttle twist grip complete	—	1
10	05.15.07	▲grip tube complete	1	1
12	05.12.62	▲twist grip cover	1	1
13	05.15.06	housing	1	1
14	05.13.72	lever	1	1
15	05.10.17	lever bolt	1	1
16	00.40.52	toothed washer	1	1
17	00.20.02	hex. nut	1	1
—	05.15.10	spring	1	1
18	05.10.32	oval head countersunk screw	1	1
—	255.13.91	brake light switch	1	—
—	255.13.96	brake light switch	—	1
—	255.13.02	socket	1	1
19	255.04.81	throttle control cable	1	1
20	255.04.84	front wheel brake cable	1	1
21	05.12.35	soldering nipple seat	1	1
22	255.04.18	clamping screw	1	1
23	00.43.26	tension ring B6 DIN 127	1	1
24	00.20.10	hex. nut M6 DIN 934	1	1



225 116 d

**Group: Handlebar/Start Clutch Lever, Handlebar Couple, Clutch Cable,
Rear Wheel, Brake Cable, Rear View Mirror**

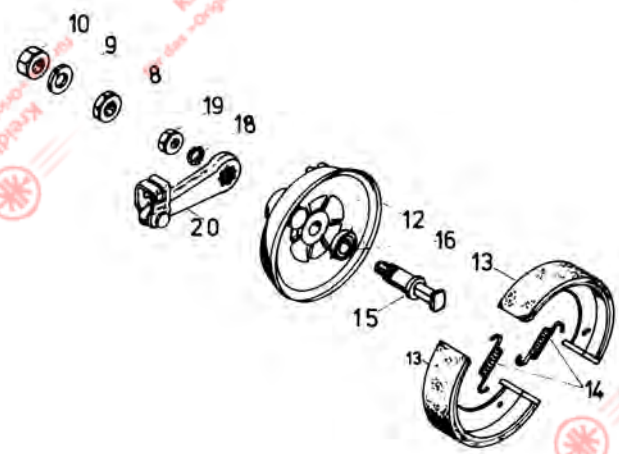
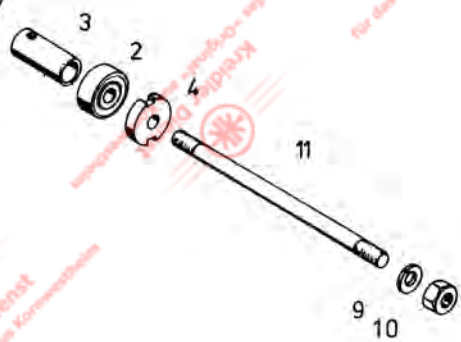
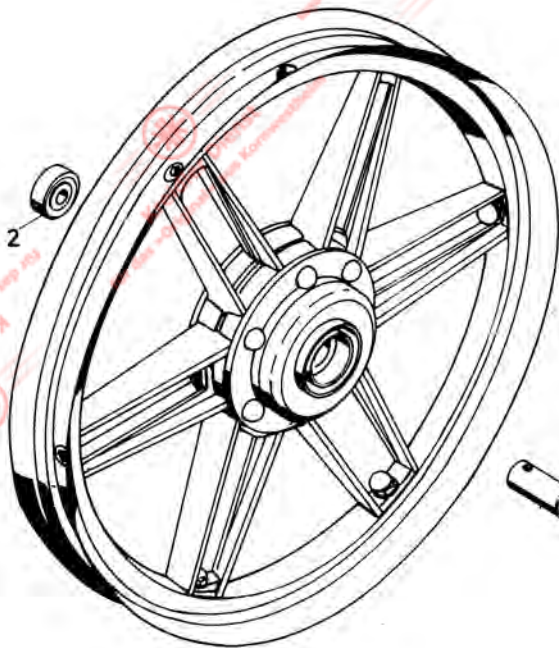
Illustr. No.	Part No.	Nomenclature	MP 9	MP 19
—	255.13.84a	start clutch lever complete	1	—
—	255.13.88	start clutch lever complete	—	1
1	05.15.46	▲ joint complete	1	1
9	05.10.17	▲ oval head countersunk screw	1	1
2	05.10.32	lever bolt	1	1
3	05.15.49	lever short	1	1
4	05.13.53	screw	1	1
5	05.13.67	handbrake lever	1	1
8	05.13.68	hex. nut	1	1
—	255.13.91	brake light switch	1	—
—	255.13.96	brake light switch	—	1
—	255.13.02	socket	1	1
10	255.04.79	clutch cable	1	1
11	255.04.85	rear wheel brake cable	1	1
12	05.12.35	soldering nipple seat	1	1
13	255.04.18	clamping screw	1	1
14	00.43.26	spring lock washer B6 DIN 127	1	1
15	00.20.10	hex. nut M6 DIN 934	1	1
16	255.04.11	tension ring	1	1
17	255.04.10	cable clip	1	1
20	27.00.84	rear view mirror complete	1	1
23	57.23.05a	handlebar couple	1	1



225 133

Group: Front Wheel/Wheel With Spokes

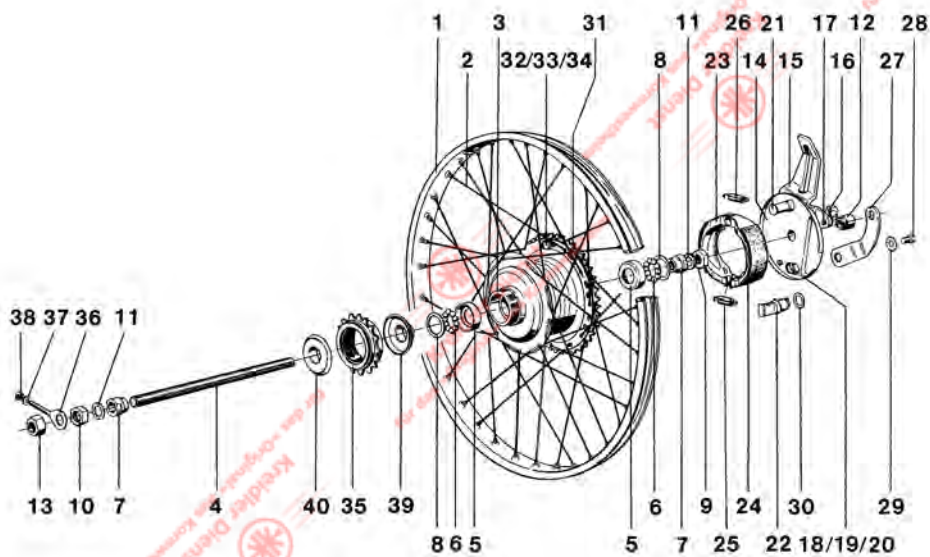
Illustr. No.	Part No.	Nomenclature	MP 9
—	00.96.74	wire bead tire 21 x 2.25"	1
—	00.96.29	tube 21 x 2.25"	1
—	00.96.48	chafing strip 20 . . . 22"/21	1
—	265.01.89	front wheel complete, without tire	1
1	265.01.01	▲ drop base rim 2 1/4"	1
2	265.01.02	spoke with nipple	36
—	265.01.90	front wheel brake hub complete	1
3	06.15.16	▲ axle	1
4	06.15.46	axle nut, w.o.fl. 17	1
6	06.15.20	washer	2
7	06.15.11	spacer	1
8	06.15.21	washer	1
9	06.15.00	hub body	1
10	06.15.01	cover ring	1
11	06.15.02	nut	1
12	06.15.03	ball socket	2
13	00.69.34	ball 7/32", class IV, DIN 5401	22
14	06.15.04	cone	2
—	06.16.05	brake cover complete	1
15	06.16.06	▲ brake cover, stripped	1
—	265.01.07	plug for inspection holes	2
20	06.15.12	brake cam	1
21	06.15.42	brake shoe (pair) complete	1
24	06.15.17	▲ retraction spring	2
25	06.15.08	brake lever	1
26	06.15.06	brake lever screw	1
27	06.15.10	toothed washer	1
28	06.15.07	washer	1



335 120 b

Group: Front Wheel/Combined Wheel

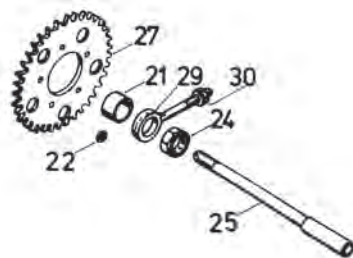
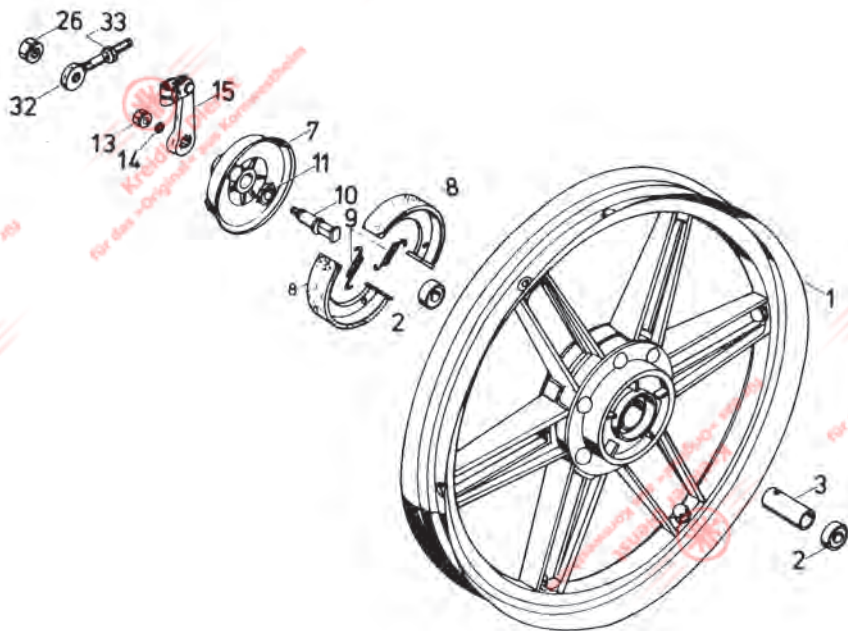
Illustr. No.	Part No.	Nomenclature	MP 19
—	00.96.74	wire bead tire 21 x 2,25"	1
—	00.96.29	tube 21 x 2.25"	1
—	00.96.48	chafing strip 20–22"/21	1
1	265.21.97	combined wheel, front	1
2	00.60.35	▲ ball bearing 6001 Z/C 3	2
3	06.16.10	┆ spacing tube, 41 mm long	1
8	265.21.07	counter nut	1
9	365.01.04	washer	2
10	365.01.03	axle nut	2
11	265.21.01	front axle	1
12	265.21.94	brake cover, complete	1
—	265.01.07	▲ plug for inspection holes	2
13	06.15.42	brake shoe pair, complete	1
14	06.15.17	▲ retraction spring	2
15	06.15.12	brake cam, complete	1
16	06.15.07	washer	1
18	06.15.10	tooth lock washer	1
19	06.15.06	brake lever screw	1
20	06.15.08	brake lever	1



225 134 b

Group: Rear Wheel/Wheel With Spokes

Illustr. No.	Part No.	Nomenclature	MP 9
—	00.96.74	wire bias tire 21 x 2.25"	1
—	00.96.29	tube 21 x 2.25"	1
—	00.96.48	chafing strip 20 . . . 22"/21	1
—	265.12.94	rear wheel complete without tire	1
1	265.01.01	▲ drop base rim 2 1/4"	1
2	265.11.02	spoke with nipple	36
—	265.12.95	rear wheel brake hub complete	1
3	06.15.47	▲ hub body	1
4	06.15.48	axle	1
5	00.69.27	ball 3/16", Class IV, DIN 5401	26
6	06.15.53	ball socket	2
7	06.15.54	cone	2
8	06.15.49	cover ring	2
9	06.15.50	nut	2
12	06.15.51	spacer	1
13	00.20.28	hex. nut M12 x 1 DIN 934	2
—	06.16.07	brake cover complete	1
14	06.16.08	▲ brake cover, stripped	1
—	265.01.07	▲ plug for inspection holes	2
22	06.15.34	brake cam	1
23	06.15.42	brake shoe (pair) complete	1
26	06.15.17	▲ retracting spring	2
27	06.15.35	brake lever	1
28	06.15.06	brake lever screw	1
29	06.15.10	toothed washer	1
30	06.15.33	washer	1
31	265.02.11	— sprocket wheel 36 teeth	1
32	265.02.10	square head screw	6
33	00.31.02	washer 6.4 DIN 433	6
34	06.15.30	hex nut	6
35	265.02.76	freewheel ring gear	1
39	265.02.15	cover, inside	1
40	265.02.16	cover, outside	1
36	265.02.14	chain tensioner	2
37	00.30.11	washer 7.4 DIN 125	2
38	00.29.33	lock nut NM7 DIN 980	2



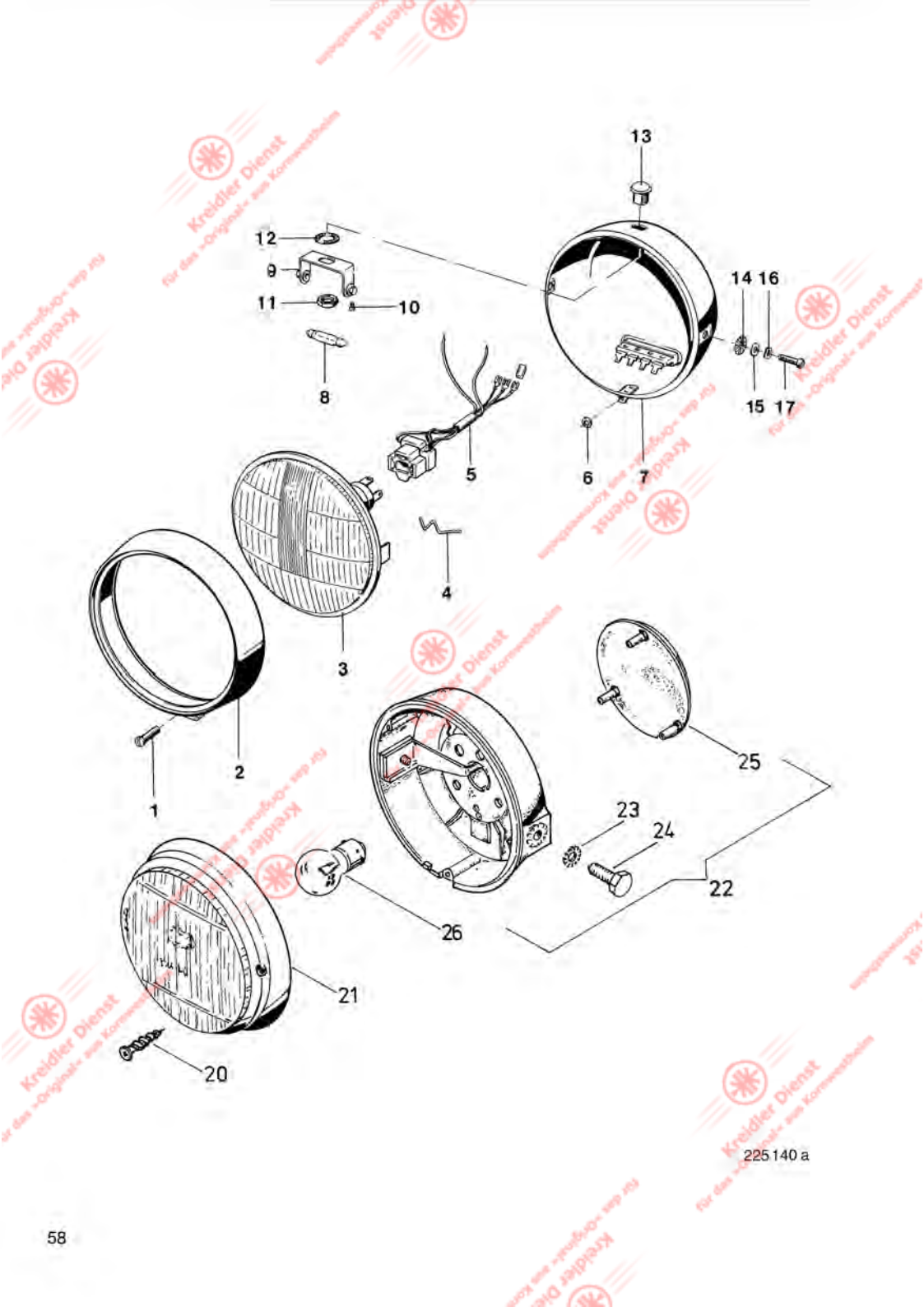
335 121 b

Group: Rear Wheel/Combined Wheel

Illustr. No.	Part No.	Nomenclature	MP 19
—	00.96.74	wire bead tire 21 x 2.25"	1
—	00.96.29	tube 21 x 2.25"	1
—	00.96.48	chafing strip 20–22"/21	1
1	265.22.97	combined wheel, rear	1
2	00.60.35	▲ ball bearing 6001 Z/C3	2
3	06.16.11	↑ spacing tube, 70 mm long	1
—	06.16.07	brake cover, complete	1
—	265.22.88	brake cover, complete	1
7	06.16.08	▲ brake cover, stripped	1
—	265.02.17	plug for inspection holes	2
8	06.15.42	brake shoe pair, complete	1
9	06.15.17	▲ retraction spring	2
10	06.15.34	brake cam	1
11	06.15.33	washer	1
13	06.15.06	brake lever screw	1
14	06.15.10	tooth lock washer	1
15	06.15.35	brake lever	1
17	00.11.16	hex head screw M6 x 16 DIN 933	3
17	265.22.08	tear screw	2
22	00.43.57	spring lock washer B6DIN 137	5
21	265.22.05	sleeve	1
21	265.22.05a	sleeve	1
24	365.01.03	nut	1
—	265.22.06	washer	1
25	265.22.04*)	axle	1
25	265.22.11**)	axle	1
26	365.01.03	nut	1
27	265.02.11	sprocket wheel 36 teeth	1
29	265.02.19	chain tensioner washer 7.4 DIN 125	1
30	00.29.33	lock nut	1
32	265.02.19	chain tensioner washer 7.4 DIN 125	1
—	00.29.33	lock nut	1
—	265.02.76	freewheel ring gear	1
—	265.02.15	cover, inside	1
—	265.02.16*)	cover, outside	1
—	265.02.16a**)	cover, outside	1

*) up to chassis No. 2450 150

**) as of chassis No. 2450 151



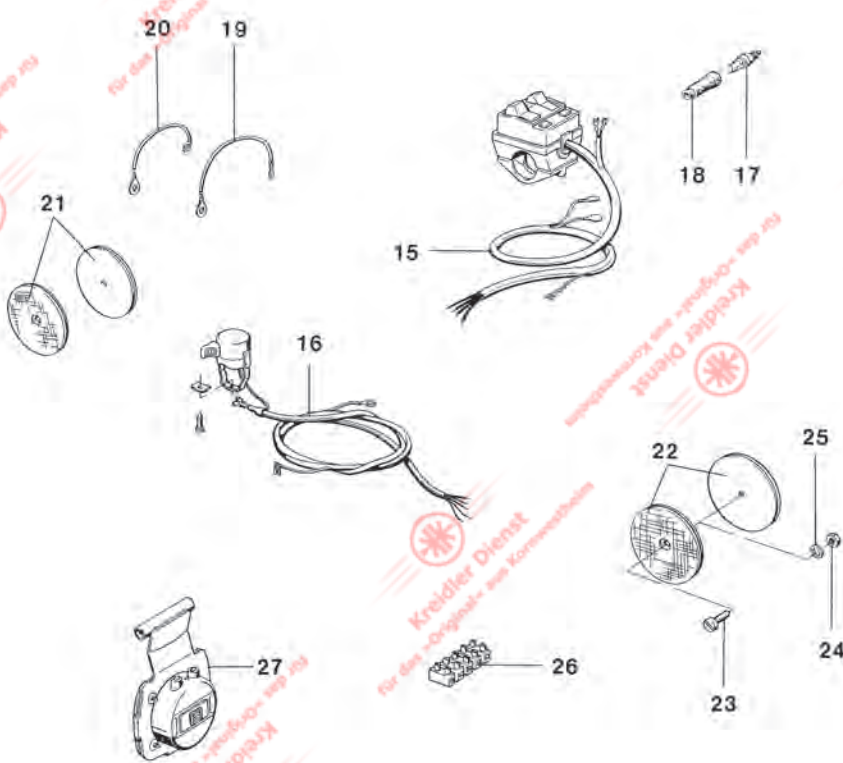
225 140 a

Group: Electrical System/Headlight

Illustr. No.	Part No.	Nomenclature	MP 9	MP 19
—	285.00.73*)	headlight complete 6V 20/20W	1	—
—	08.17.94*)	▲ headlight insert, complete	1	—
1	08.17.91*)	▲▼ screw for retaining ring	1	—
2	08.17.92*)	retaining ring with screw	1	—
3	08.17.93*)	reflector with bulb 6V 20/20W	1	—
4	08.17.31*)	retaining clamp	4	—
5	08.17.98*)	— cable set	1	—
7	08.17.97*)	headlight housing, varnished	1	—
8	08.17.95*)	festoon bulb for control light	1	—
9	08.17.96*)	control lamp (counisting of items 10–13)	1	—
—	285.02.99**)	headlight complete	1	—
14	00.40.63	toothed washer	2	—
15	00.30.02	washer 6.4	2	—
16	00.43.57	spring lock washer	2	—
17	00.17.48	cylindrical M6 x 22	2	—
—	285.02.97	headlight complete 6 V 21 W	—	1
20	08.21.11	▲ sealed beam locking screw	3	3
21	08.21.12	sealed beam	1	1
22	08.21.14	housing complete	1	1
23	00.40.63	▲ toothed washer A6.4	2	2
24	00.11.16	locking bolt M6 x 16	2	2
25	08.21.13	rear cover	1	1
26	08.17.72**)	bulb 6V 21W	1	1

*) MP 9 to frame No. 2411 089

**) MP 9 from frame No. 2411 090

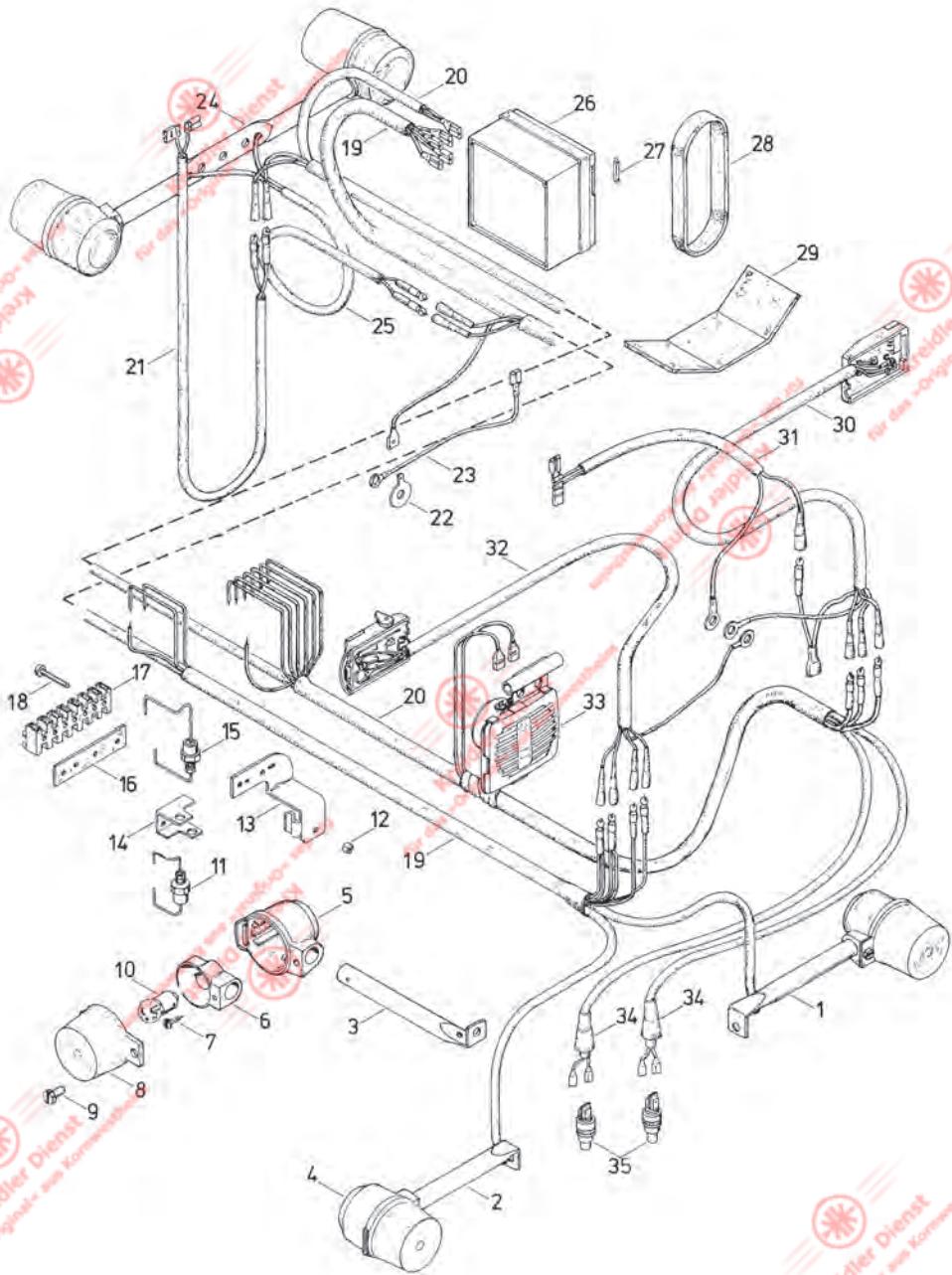


Group: Electrical System/Cable Harness, Brake Light Switch, Rear Reflector, Horn

Illustr. No.	Part No.	Nomenclature	MP 9	MP 19
15	285.00.70 ¹⁾	cable harness with handlebar switch, left	1	—
16	285.00.61 ¹⁾	cable harness with short circuit switch, right	1	—
17	255.13.91 ¹⁾	brake light switch	2	—
18	255.13.02 ¹⁾	socket	2	—
19	285.00.26 ¹⁾	earth wire to head lamp	1	—
20	285.00.21 ¹⁾	earth wire to speedometer	1	—
21	285.00.22	reflector: yellow, front	2	2
22	285.00.23	reflector: red, rear	2	2
23	00.17.23	hex. screw M6 x 16 DIN 84	2	2
24	00.24.02	hex. nut M6	2	2
25	00.43.57	spring lock washer B6 DIN 137	2	2
26	00.95.14 ¹⁾	cable connector B5	1	—
27	285.00.66	A.C. horn 18W	1	—

¹⁾ high beam switch without function

^{*)} MP 9 to frame No 2412921, to engine No 2427425

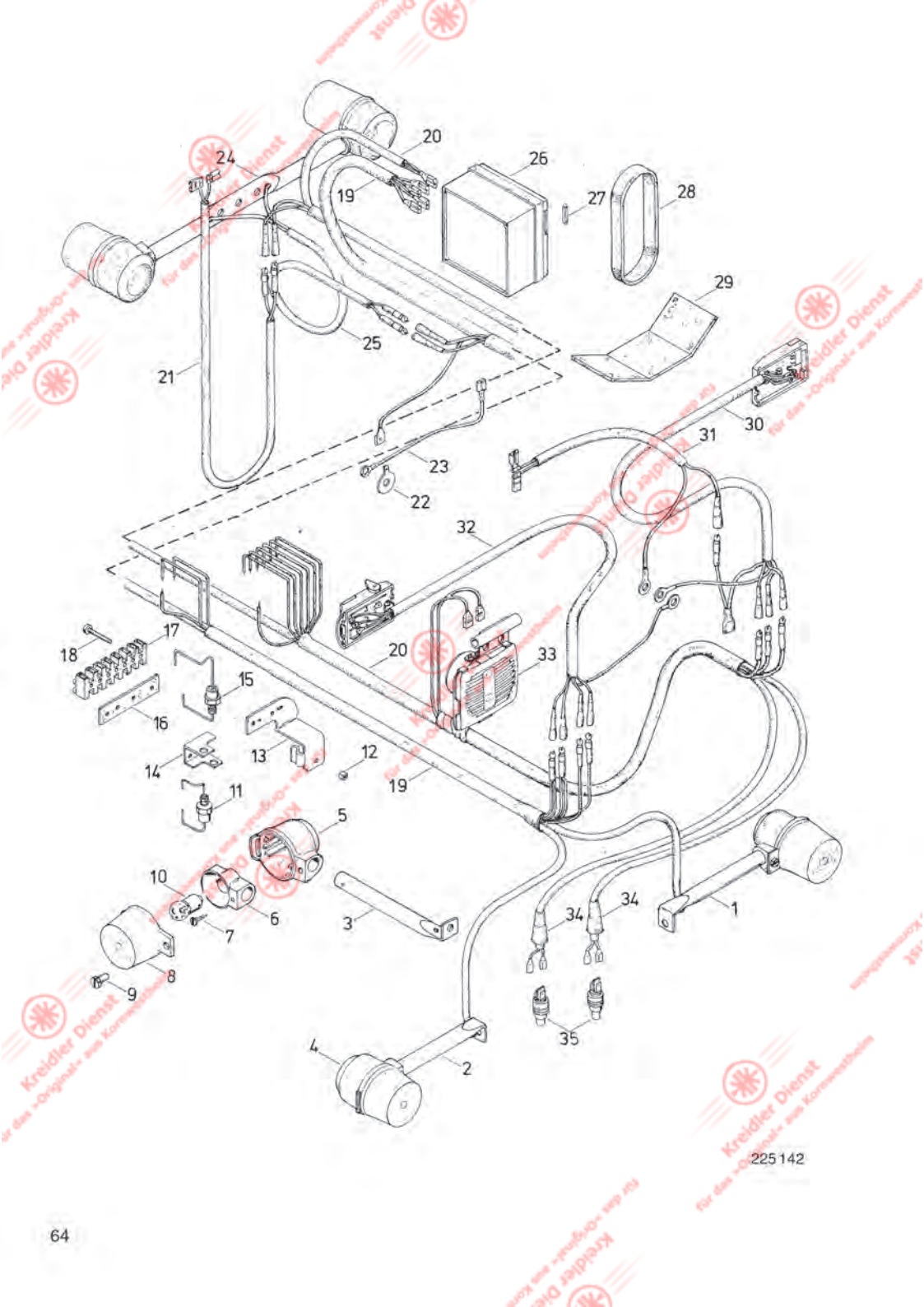


225 142

Group: Electrical System/Turn Signals, Cable Harnesses, Diodes, Horn

MP 9 from frame No. 2412922 / from engine No. 2427426

Illustr. No.	Part No.	Nomenclature	MP 9	MP 19
1	285.08.89	turn signal holder , left front, preassembled	—	1
2	285.08.88	turn signal holder , right front, preassembled	—	1
3	285.08.07	▲ turn signal holder right	—	1
	285.08.06	▲ turn signal holder left	—	1
4	285.08.95	turn signal complete	—	2
5	08.18.55	▲ housing	—	2
6	08.18.54	light carrier	—	2
7	08.18.53	mounting screw	—	2
8	08.18.50	lens, complete	—	2
9	08.18.51	▲ mounting screw	—	2
10	08.17.75	filament lamp 6V 10W	—	2
11	285.05.03	zener diode	1	1
12	00.20.30	hex. nut M4	2	2
13		.		
14	285.01.01	diode carrier	1	1
15	285.05.03	zener diode	1	1
—	00.95.11	insulating hose	5	2
—	285.05.08	rectifier diode	1	—
—	285.05.04	resistor	1	—
16	285.05.02	reinforcement	1	1
17	00.95.11	cable connector B8	1	1
18	00.43.51	Spring washer B4	2	2
19	285.05.83	main cable harness	—	1
20	285.05.90	cable harness to flashing module	—	1
21	385.00.87	cable harness to headlight	—	1
—	285.00.24	brake-tailight line	1	—
22	285.05.23	flat twinplug	1	1
23	285.05.21	earth cable	1	1
24	285.08.98	turn signal , rear, preassembled	—	1
25	395.00.84	▲ cable harness for turn signals	—	1
—	385.08.02	▲ turn signal holder rear	—	1
—	285.08.95	turn signal complete	—	2
—	00.29.00	cap nut M6	—	2
—	00.43.57	spring washer B6	—	2

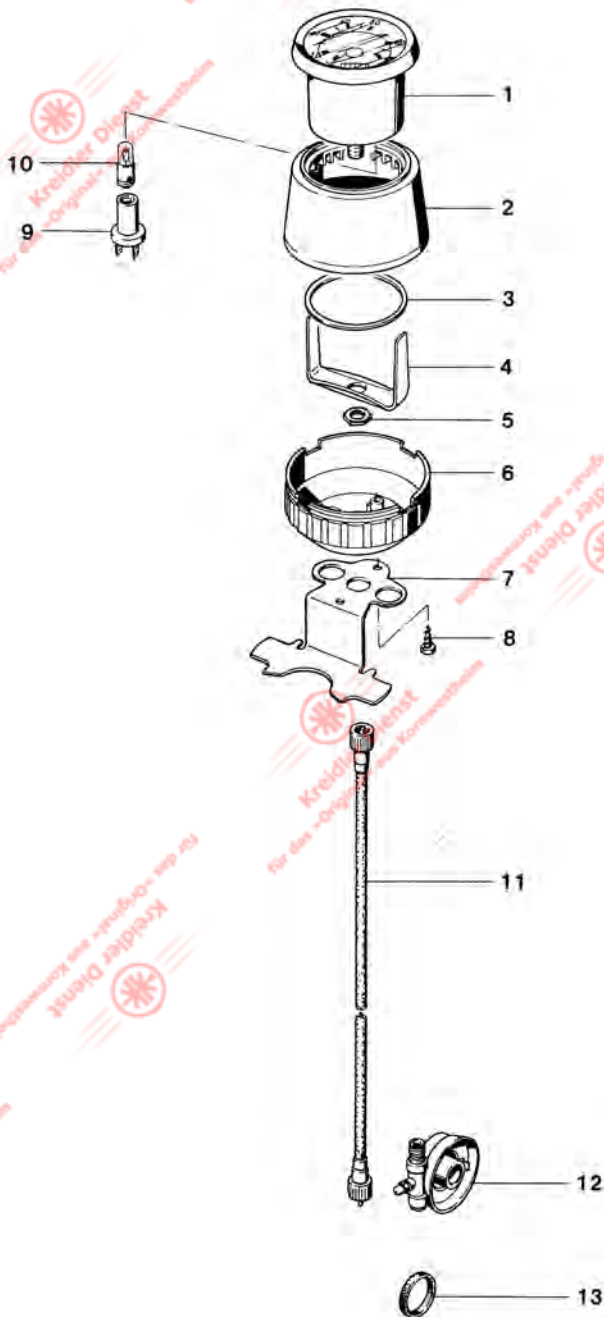


225142

Group: Electrical System/Turn Signals, Cable Harnesses, Diodes, Horn

MP 9 from frame No. 2412922 / from engine No. 2427426

Illustr. No.	Part No.	Nomenclature	MP 9	MP 19
26	285.08.99	flashing module	—	1
27	08.17.74	▲ hex 8 amp.	—	1
—	285.08.99	↑ accumulator-battery	—	1
28	37.81.01	rubber ring	—	1
29	97.03.15	base	—	1
30	285.05.89	cable harness, left, with handlebar switch	—	1
—	285.05.87	▲ cable harness left	—	1
—	285.05.16	↑ handlebar switch	—	1
—	87.81.69	base	—	1
—	00.19.30	sheet metal hex head screw	—	1
—	285.05.99	main cable harness, complete	1	—
—	285.05.93	▲ handlebar switch, left	1	—
—	285.05.92	↑ short-circuit-switch, right	1	—
—	87.81.69	base	2	—
—	00.19.30	sheet metal hex head screw	2	—
31	285.05.81	cable harness to speedometer	—	1
32	285.05.86	cable harness, right, with turn signal switch	—	1
—	285.05.85	▲ cable harness right	—	1
—	285.05.15	↑ turn signal switch	—	1
—	87.81.69	base	—	1
—	00.19.30	sheet metal hex head screw	—	1
33	285.00.66	A.C. horn 18W	1	1
34	255.13.02	socket	2	2
35	255.13.91	brake light switch	1	—
35	255.13.96	brake light switch	—	1



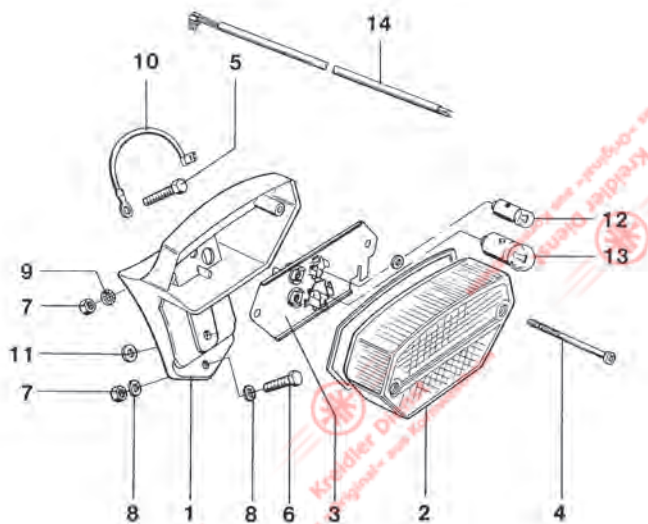
543 140 a

Group: Electrical System/Speedometer, Speedometer Shaft, Hub Drive

Illustr. No.	Part No.	Nomenclature	MP 9	MP 19
1	265.03.95	speedometer , complete	1	1
4	27.78.17	↑ yoke	1	1
5	27.08.02	↑ nut	1	1
9	87.81.17	lamp socket 2-pole	1	1
2	27.78.37	housing, upper part	1	1
3	27.78.39	ring	1	1
6	27.78.38	housing, lower part	1	1
—	57.64.01	socket	1	1
7	365.03.01	instrument carrier	1	1
8	00.19.31	sheet metal screw B4.2 x 9.5 DIN 7976	2	2
10	08.17.60*)	filament lamp 6V 0.6 W	1	—
10	08.17.71**)	filament lamp 6V 1.2W	1	1
11	27.78.96	speedometer shaft	1	1
12	265.03.92	hub drive	1	—
12	365.03.95	hub drive	—	1
13	255.04.11	clamping ring	1	1
—	285.05.81	cable harness to speedometer	—	1

*) MP 9 to frame No. 2409541

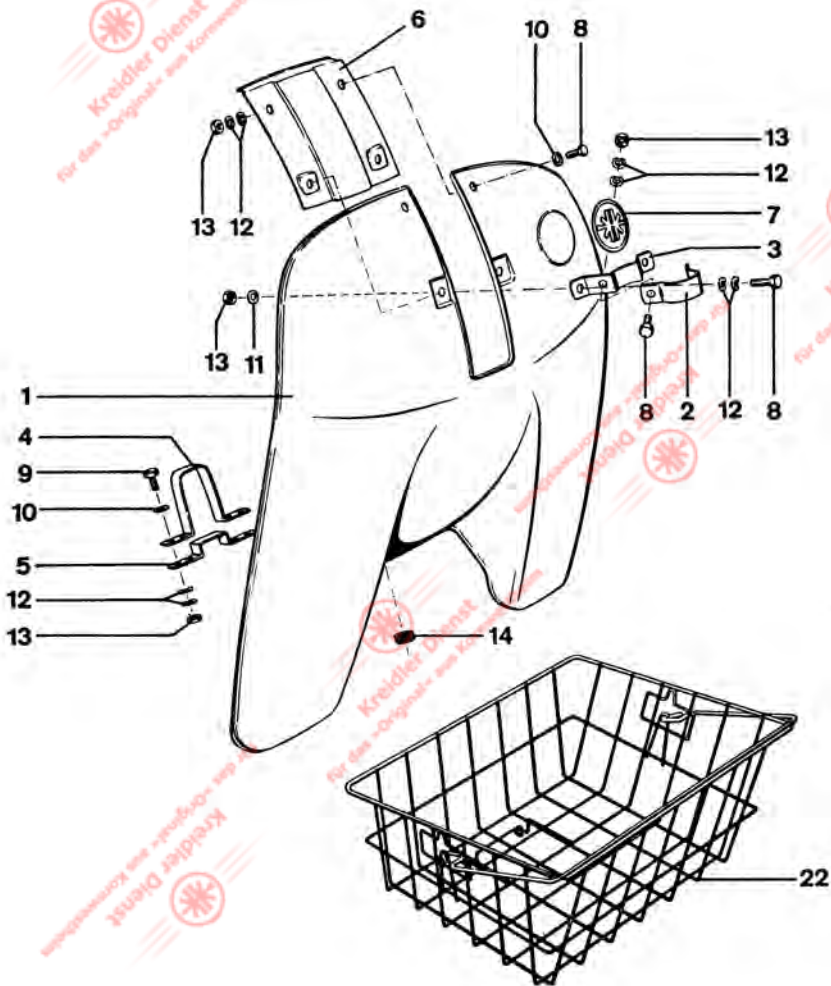
***) MP 9 from frame No. 2409542



225 141 b

Group: Electrical System/Combination Tail-Brake-Licence-Plate Light

Illustr. No.	Part No.	Nomenclature	MP 9	MP 19
—	285.00.65	combination tail-brake-licence plate light, complete	1	—
—	285.07.95	combination tail-brake-licence plate light, complete	—	1
1	87.71.18	▲ housing, complete	1	—
1	87.01.31	▲ housing, complete	—	1
2	285.00.63	lens	1	1
3	285.00.62	bulb carrier	1	1
4	87.71.21	cross-head screw	2	2
5	00.10.39	hex head screw M6 x 26 DIN 931	1	—
5		hex head screw M6 x 22 DIN 933	—	1
6	00.11.42	hex head screw M6 x 16 DIN 933	1	—
6		hex head screw M6 x 22 DIN 933	—	1
7	00.20.10	hex nut M6 DIN 934	2	2
8	00.43.57	spring lock washer B6 DIN 137	2	2
9	00.40.63	tooth lock washer A 6.4 DIN 6797	1	—
9		washer A 6.4 DIN 9021	—	2
10	87.71.83	ground cable	1	1
11	87.73.01	cable grommet	1	—
12	08.17.75	filament lamp 6V 10W DIN 72601	1	1
13	08.15.15	filament lamp 6V 5W DIN 72601	1	1
—	285.00.24	brake-tail light cable	1	—



225121 b)

Group: Accessories/Leg Shield, Luggage Basket

Illustr. No.	Part No.	Nomenclature	MP 9	MP 19
—	395.02.00	leg shield, complete	1	1
1		▲ shield (only delivered in pairs)	1	1
2	295.02.02	clamp, top	1	1
3	295.02.03	yoke, top	1	1
4	295.02.04	clamp, bottom	1	1
5	295.02.05	yoke, bottom	1	1
6	295.02.11	reinforcement	1	1
7	235.08.10	trade mark	1	1
8	00.11.13	hex head screw M6 x 32 DIN 933	6	6
9	00.11.42	hex head screw M6 x 16 DIN 933	4	4
10	00.30.02	washer 6.4 DIN 125	10	10
11	00.33.50	washer A 6.4 DIN 9021	2	2
12	00.43.57	spring lock washer B6 DIN 137	16	16
13	00.20.10	hex nut M6 DIN 934	10	10
14	57.02.47	rubber grommet	1	1
—	395.02.02	weatherstrip long	1	1
—	395.02.03	weatherstrip short	2	2
—	295.03.97	luggage basket	1	—

Group: Accessories/Assortements

Illustr. No.	Part No.	Nomenclature	Quantity	Observation
	00.01.94a	set ball bearing complete	1	
	00.63.01	▲ ball bearing BO 15 DIN 615	2	
	00.60.32	ball bearing 6001/C3 DIN 625	2	
	00.60.52	ball bearing 16006 DIN 625	1	
	01.00.35	ball bearing Fafnir 202 k x 3/C3	1	
	00.01.103a	set seals with ring seals	1	
	00.01.98a	▲ set seals complete	1	
	215.01.10	▲ housing gasket right	1	
	215.01.18a	housing gasket left	1	
	215.03.25	intake gasket	1	
	215.03.12	cylinder bottom gasket	1	
	215.03.44	cylinder head gasket	1	
	00.70.01	ring seal C12 x 16 DIN 7603	2	
	00.70.14	ring seal C10 x 13.5 DIN 7603	1	
	00.70.08	ring seal B6 x 10 DIN 7603	2	
	01.00.14	O-ring 20 x 2.5	1	
	01.00.36	round seal ring	1	
	00.70.13	fiber seal	1	fuel cock
	07.15.25	seal ring	1	
	07.15.27	seal ring	1	
	07.15.32	seal ring	1	
	00.01.102a	set shaft seals complete	1	
	01.00.11	▲ shaft seal 15 x 25 x 5	2	
	01.00.25	shaft seal, double lipped 15 x 24 x 7	1	



1970